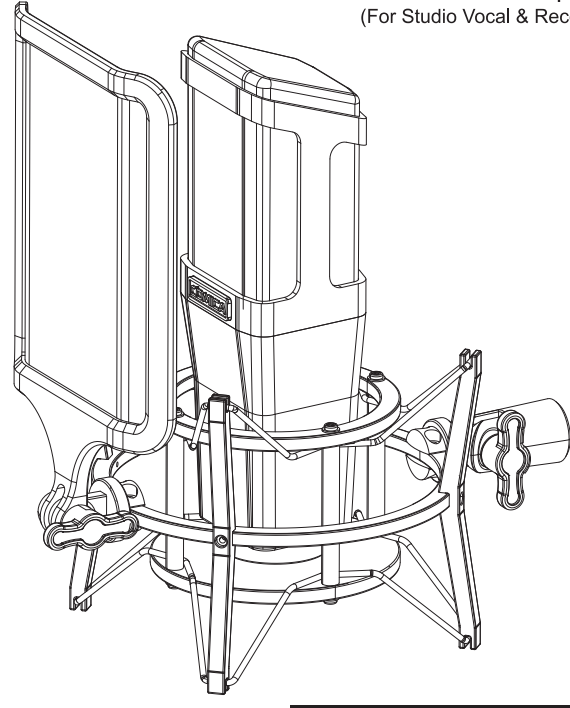


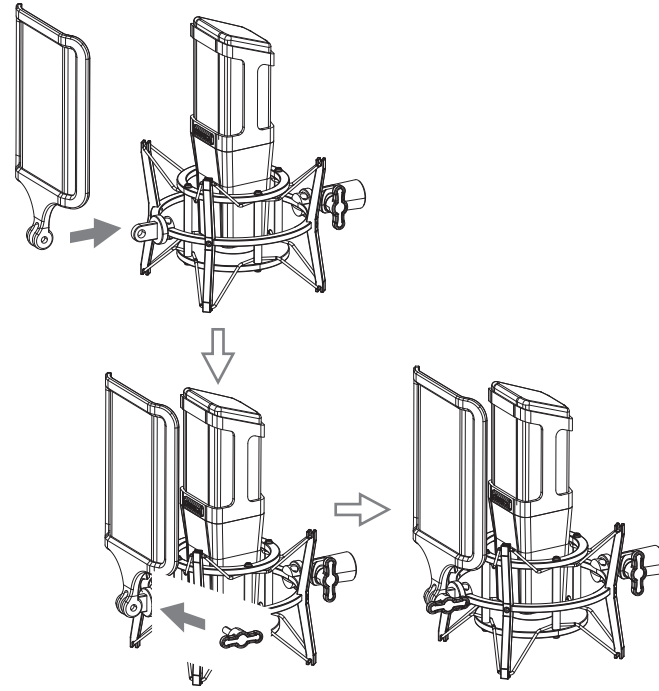
STM01

Studio Vocal Condenser Microphone
(For Studio Vocal & Recording)



USER MANUAL

3. Install the Pop-Shield onto the Shock-Mount and tighten with the Lock Knob



4

Foreword

Thanks for purchasing COMICA STM01 Studio Vocal Condenser Cardioid Microphone. To ensure bring you a good using experience, please read this manual book carefully before using and correctly install and operate.

Notice

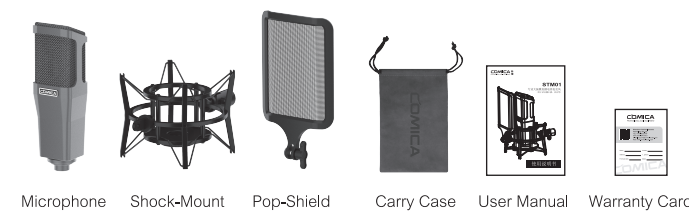
- ⚠ This product uses XLR output interface, device with other interface should be prepared with corresponding cable adapter to use
- ⚠ Do not use this equipment in the vicinity of heat source or interference source, such as radiator, oven, refrigerator or air conditioner, smartphone or next to the WIFI AP
- ⚠ This product belongs to high-precision instruments, please avoid falling, collision or pounding
- ⚠ Do not use the equipment in rain or in a damp environment to avoid short-circuit danger
- ⚠ Please keep the product in a dry environment

Main Features

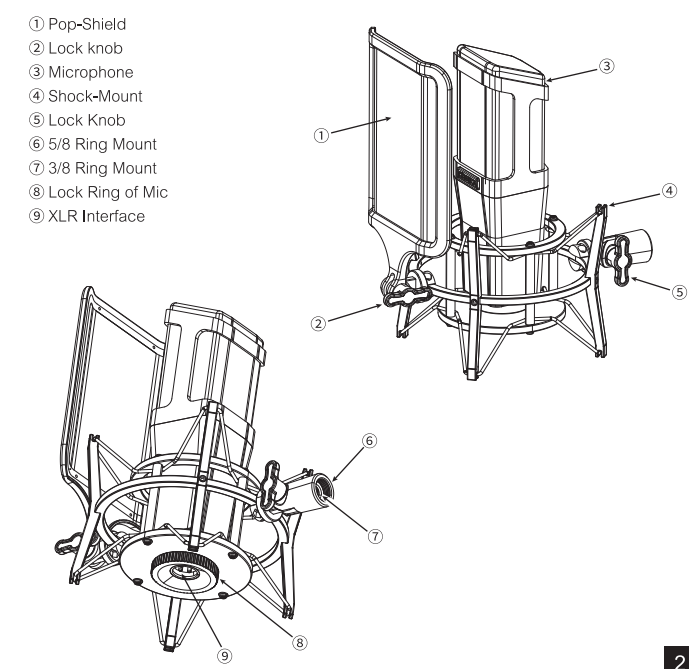
- . 34mm Gold-Plating Large Diaphragm Condenser Mic for Studio Quality Audio
- . Super Low Self-noise and Distortion
- . Extended Dynamic Range and High SPL for Ideal Vocal Recording
- . Support 24V/48V Phantom Power
- . Detachable Pop-Shield Design to Efficiently Filter Airflow
- . Special Shock Mount Design to Efficiently Eliminate Vibration Noise
- . Metal Housing for Excellent Shielding

1

Packing List



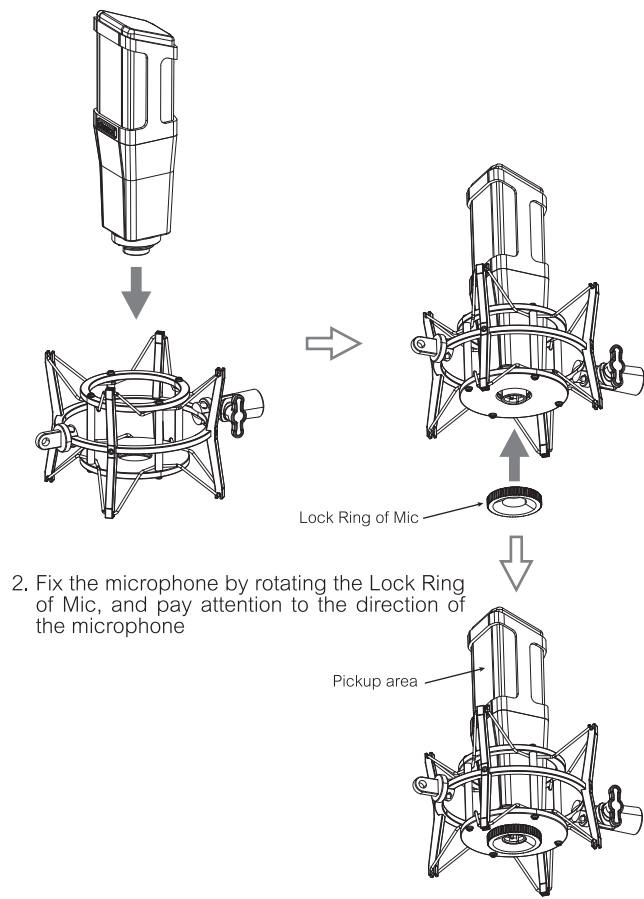
Components Instruction



2

Product Installation and Use

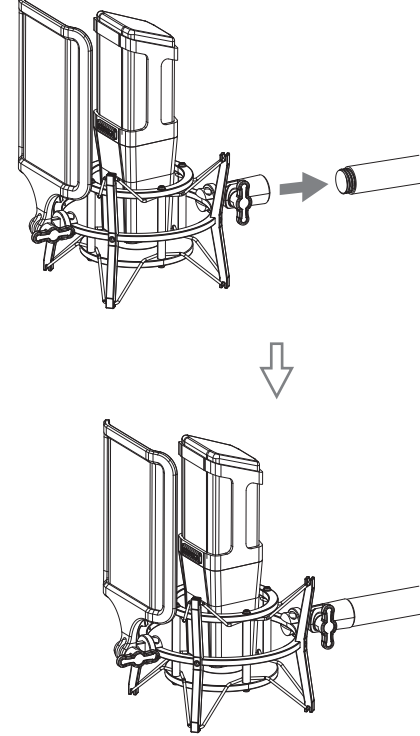
1. Install the microphone on the Shock-Mount



3

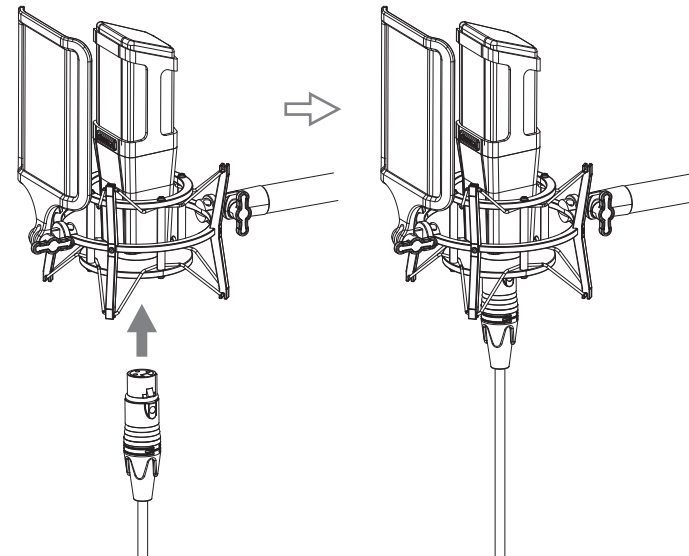
2. Fix the microphone by rotating the Lock Ring of Mic, and pay attention to the direction of the microphone

4. Install the microphone onto the Boom Arm with 5/8 or 3/8 Ring Mount



5

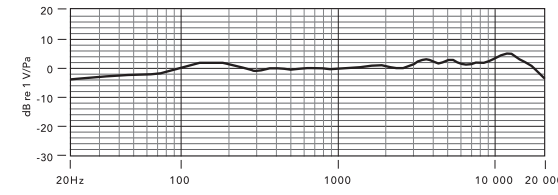
5. Finish the installation after Insert the XLR plug into Microphone



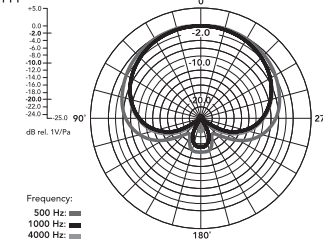
6

Specification

1. Frequency Response



2. Polar Pattern



3. Technology Parameters

Acoustic Principle	Condenser
Polar Pattern	Cardioid
Frequency Response	20Hz - 20kHz
Output Impedance	100Ω
Sensitivity	-32dB±2dB @ 1kHz
Equivalent Noise	5dBA
Maximum Output	+13.7dBu
Dynamic Range	132dB
Maximum SPL	137dB
Signal / Noise	89dB
Power	48V/24V Phantom Power
Output	3-pin XLR Interface
Dimension	125 x 180 x 230mm
Net Weight	680g
Working Temperature	0-50°C

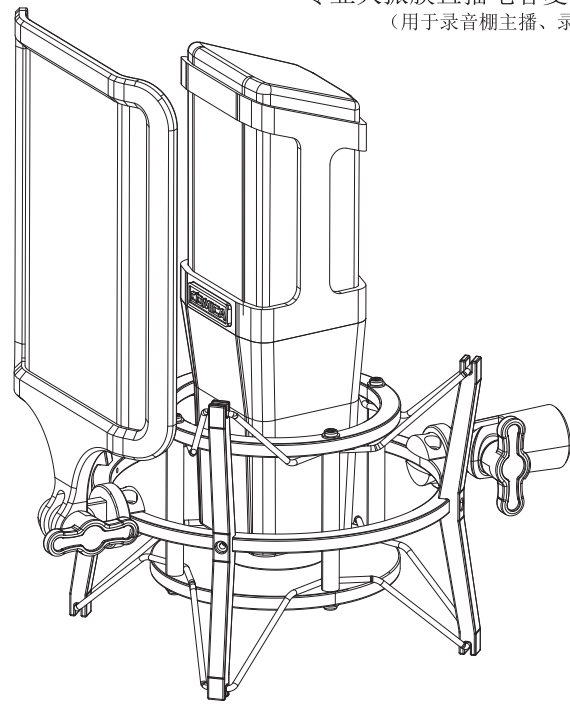


www.comica-audio.com

The COMICA LOGO is trademark which is registered and owned by ComiKa Technology Co., Ltd.
Email: support@comica-audio.com

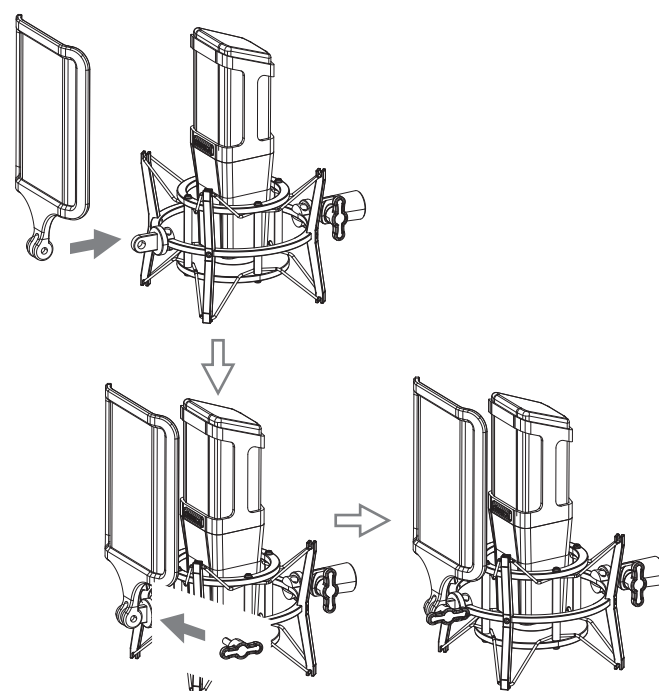
STM01

专业大振膜直播电容麦克风
(用于录音棚主播、录音等)



使用说明书

3. 把防喷罩安装到减震支架上并用锁紧旋钮拧紧



4

前言

感谢您购买COMICA/科咪STM01专业大振膜直播电容麦克风。为保证产品的顺畅使用，请在使用前仔细阅读本说明书，并正确组装及操作。

注意事项

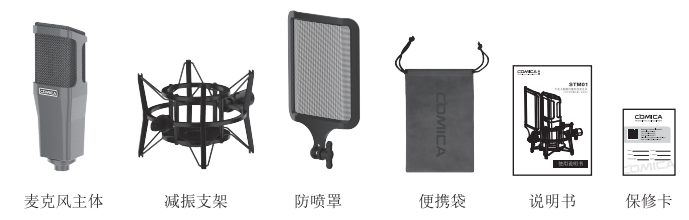
- ⚠ 本产品是卡侬接口输出，其他接口的设备请自行配备相应的转换线使用
- ⚠ 请勿将本设备放置在热源或干扰源附近使用，如散热器、烤箱、冰箱、空调、手机和WIFI热点旁边
- ⚠ 本产品属于高精密度仪器类产品，请避免使用时掉落、碰撞或重击
- ⚠ 不要在雨或潮湿的环境中使用该设备，否则会有短路的风险
- ⚠ 请在干燥环境中对该产品进行保存

产品主要功能

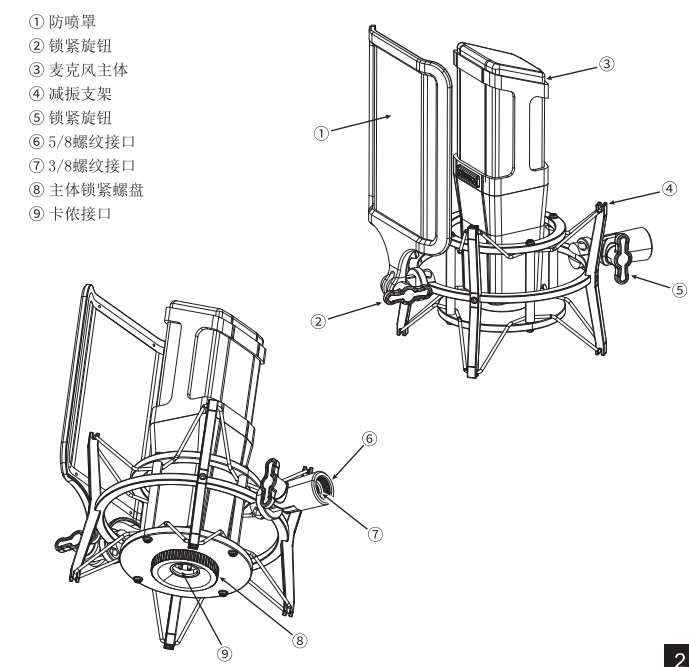
- . 34mm镀金大振膜电容咪头，专业棚级音质
- . 采用高端音质耦合电解电容，超低底噪及失真
- . 优质大动态范围及高声压级、高端理想录音设备
- . 支持24/48V 幻象电供电
- . 可拆卸防喷罩、有效滤除气流等杂音
- . 独特双层悬挂减震系统，有效消除振动杂音
- . 全金属外壳，优异的屏蔽性能

1

包装清单



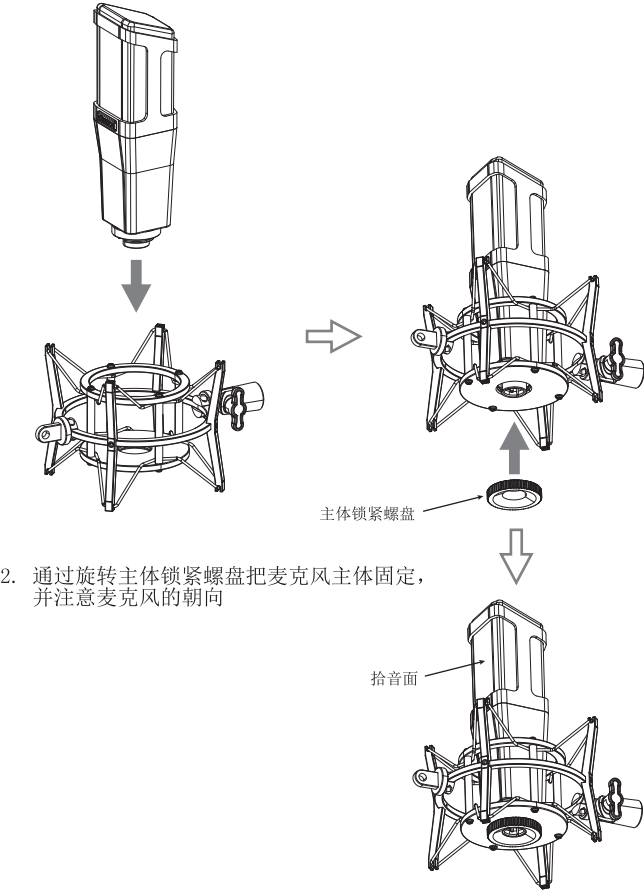
部件介绍



2

安装和使用方法

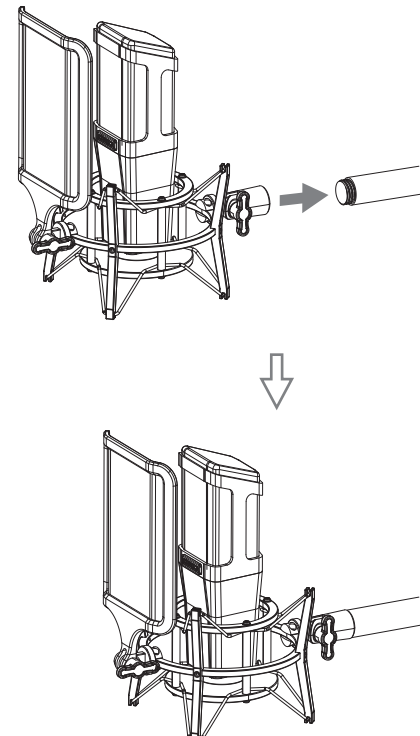
1. 把麦克风主体安装到减震支架上



3

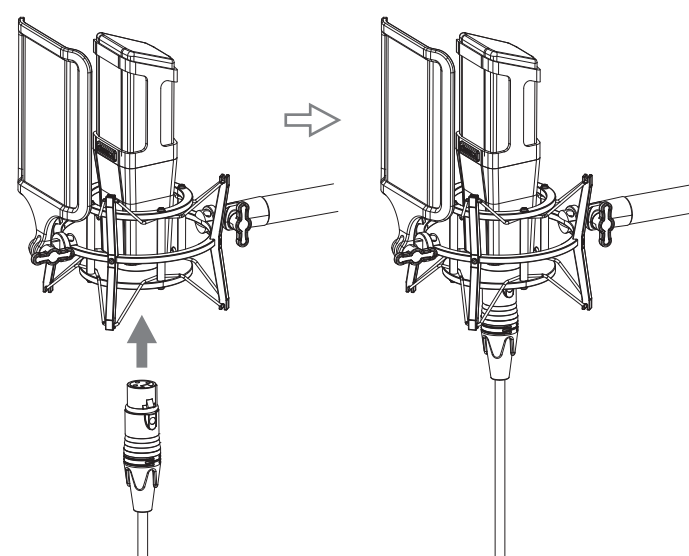
2. 通过旋转主体锁紧螺母把麦克风主体固定，并注意麦克风的朝向

4. 把麦克风安装到带5/8或3/8螺纹头的连接杆上



5

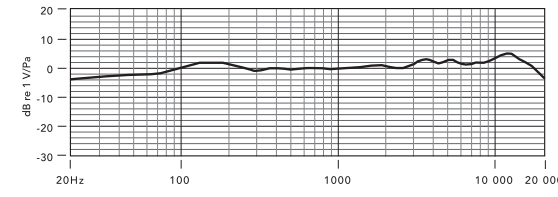
5. 把卡侬头接入麦克风的卡侬接口即可完成安装



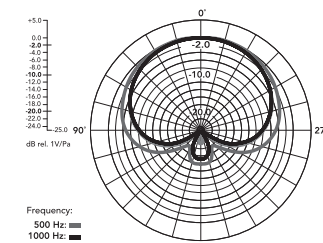
6

技术参数

1. 频率响应



2. 指向性图



3. 性能参数

声学原理	电容式
指向性	心型
频率响应	20Hz - 20kHz
输出阻抗	100Ω
灵敏度	-32dB±2dB @ 1kHz
等效噪声	5dBA
最大输出	+13.7dBu
动态范围	132dB
最大声压级	137dB
信噪比	89dB
电源	幻象电源 48V/24V
输出	3-pin 卡侬接口
尺寸	125 x 180 x 230mm
净重	680g
工作温度	0-50°C



www.comica-audio.com

The COMICA LOGO is trademark which is registered and owned by ComiKa Technology Co., Ltd.
Email: support@comica-audio.com