

Cardioid Condenser USB Microphone

STA-U1

User Manual

Foreword

Thanks for purchasing COMICA STA-U1

Main Features

- . 25mm Cardioid Condenser Mic for Professional Studio Quality
- . 48kHz/24bit Audio Recording, Intelligent Denoise
- . USB-C Digital Output Port, Plug and Play
- . Internal Pop Filter, Block Plosive Sounds
- . One-key Mute, Real-time Monitoring and Stepless Gain Control
- . Radiant RGB Light Design, Real-time Monitoring of Audio Dynamics
- . 360° Rotatable Swing Mount, Detachable Desk Stand
- . Full Metal Material, Excellent Shielding Performance

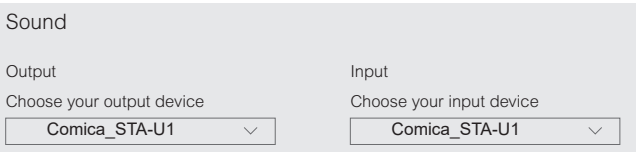
Notice

- ⚠ Please purchase the corresponding USB-Lightning adapter cable/adapter by yourself When using with Lightning devices
- ⚠ Please aim the front 'C' logo of the microphone at the sound source to get an excellent recording
- ⚠ Do not use the equipment in the vicinity of heat source or interference source, such as radiator, oven, refrigerator or air conditioner
- ⚠ The product belongs to high-precision instruments, please avoid falling, collision or pounding
- ⚠ Do not use the equipment in rain or in the damp environment to avoid short-circuit danger
- ⚠ Please keep the product in the dry environment

Tips

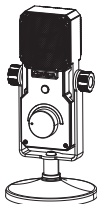
When used in computer, please follow the steps below:

- ① Connect STA-U1 to the computer
- ② Click sound setting and set the "Comica_STA-U1" as the input and output device



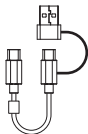
Packing List

Main Part:



Microphone

Accessories:



2 in 1 Audio Cable



User Manual



Warranty Card

1. Microphone

2. Mute Button

Short press to switch mute; Blue light is on in normal state; Red light is on in mute state

3. Gain and Volume/Audio Dynamic Indicator

After rotating the gain and volume control knob, the blue light indicates the current gain and volume, and the RGB light shows the audio dynamics in real time after three seconds

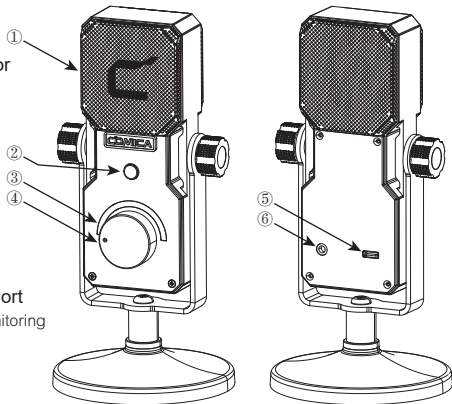
4. Gain and Volume Control Knob

Adjust the microphone output gain and headphone monitoring volume

5. USB-C Audio Output Port

6. 3.5mm TRS/TRRS Headphone Monitor Port

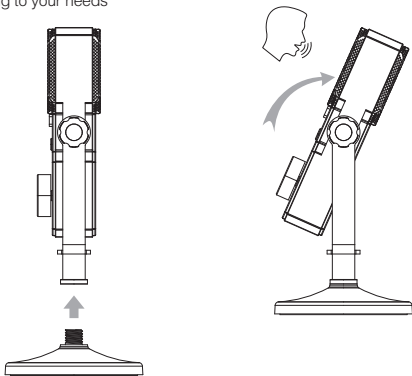
Support playback monitoring and real-time monitoring



Installation

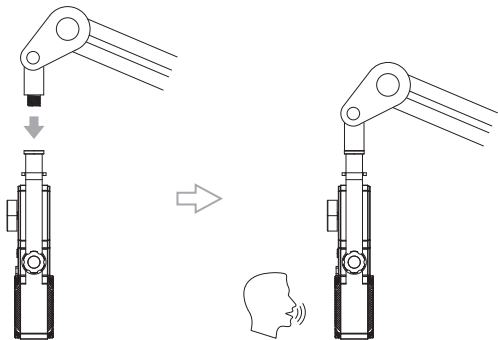
1. Work with the Round Base

Connect the microphone and the round base through the 3/8 threaded hole of the microphone; Adjust the angle of the microphone according to your needs



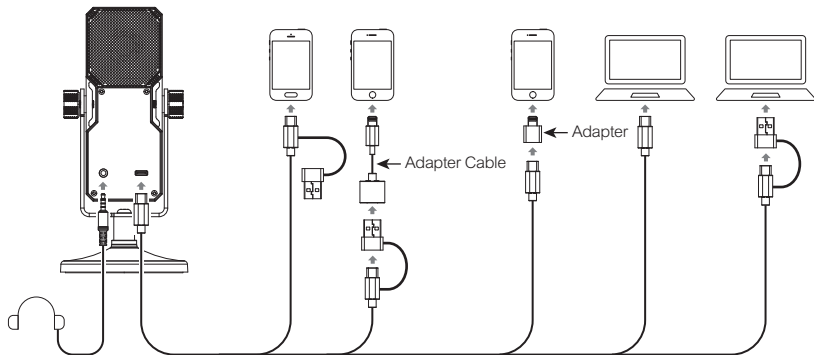
2. Work with the Suspension Boom Stand

Connect the microphone and the suspension boom stand through the 3/8 threaded hole of the microphone; Adjust the angle of the microphone according to your needs



Usage

Connect the microphone with smartphone/computer through 2 in 1 Audio Cable and related audio adapter cable/adapter; Choose whether to monitor according to your needs



Please purchase the corresponding USB-Lightning adapter cable/adapter by yourself When using with Lightning devices

Specifications

Acoustic Principle	Condenser
Polar Pattern	Cardioid Pattern
Sensitivity	-37dB±2dB
Frequency Response	20Hz ~ 20kHz
Maximum SPL	120dB
S/N	70dB
Equivalent Noise	24dBA
Dynamic Range	96dB
Sampling Rate	48kHz
Bit Depth	24-bit
Output Port	USB-C
Monitoring Port	3.5mm TRS/TRRS
Net Weight	580g
Dimension	191 x 82 x 39mm
Working Temperature	0 C ~ +50 C
Storage Temperature	-20 C ~ +60 C



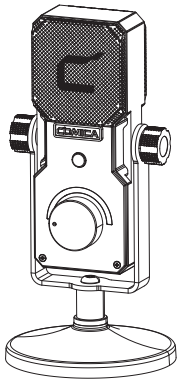
Website: comica-audio.com

Facebook: Comica Audio Tech Global

Instagram: Comica Audio

YouTube: Comica Audio

The COMICA LOGO is a trademark which is registered and owned by Commlite Technology Co.,Ltd
Email: support@comica-audio.com



STA-U1

心型电容USB麦克风

用户使用手册

前言

感谢您购买科唛STA-U1

产品主要功能

- . 25mm心型电容咪头，专业棚级音质
- . 48kHz/24bit录音，智能降噪
- . USB-C数字输出口，即插即用
- . 内置防喷罩，有效滤除杂音
- . 一键静音、实时监听、无级增益可调等多功能
- . 独特RGB灯效设计，实时监测音频动态及增益范围
- . 360°可旋转，底座可拆卸
- . 全金属材质，优异屏蔽性能

注意事项

- ⚠ 搭配Lightning接口设备时，请自行购买对应的USB-Lightning转接线/转接头
- ⚠ 请将声源对准正面的“C”字logo以获得更好的录音效果
- ⚠ 请勿将本设备放置在热源或干扰源附近使用，如散热器、烤箱、冰箱、空调等
- ⚠ 本产品属于高精密仪器类产品，请避免使用时掉落、碰撞或重击
- ⚠ 不要在雨中或潮湿的环境中使用该设备，否则会有短路的危险
- ⚠ 请在干燥环境中对该产品进行保存

提示

当用于电脑时，请按以下步骤进行操作：

- ①将STA-U1连接电脑
- ②打开声音设置界面，选择“Comica_STA-U1”为输出和输入设备

声音

输出

选择输出设备

Comica_STA-U1



输入

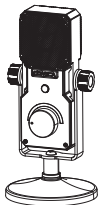
选择输入设备

Comica_STA-U1



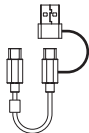
包装清单

主体:



麦克风

配件:



二合一音频连接线



说明书



保修卡

1. 麦克风咪头

2. 静音按键

短按切换静音；正常录制亮蓝灯；静音亮红灯

3. 增益/音量/音频动态指示灯

蓝灯指示当前增益/音量大小；
调节完三秒后，RGB灯效实时显示音频动态

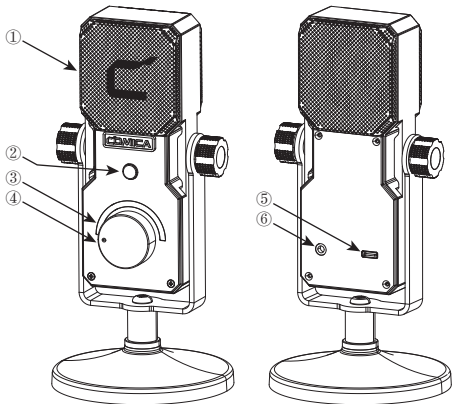
4. 增益/音量调节旋钮

调节麦克风输出增益和监听音量

5. USB-C音频输出接口

6. 3.5mm TRS/TRRS耳机监听插孔

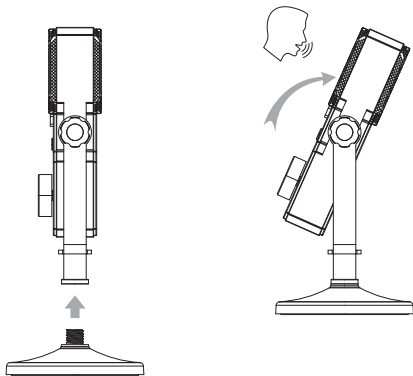
支持回放监听和实时监听



安装方法

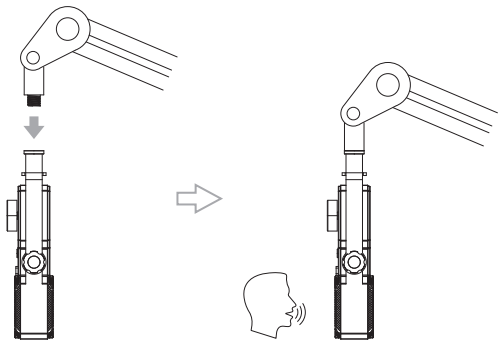
1. 搭配圆盘底座

通过麦克风的3/8螺纹孔连接麦克风和圆盘底座；根据个人需求调节麦克风的角度



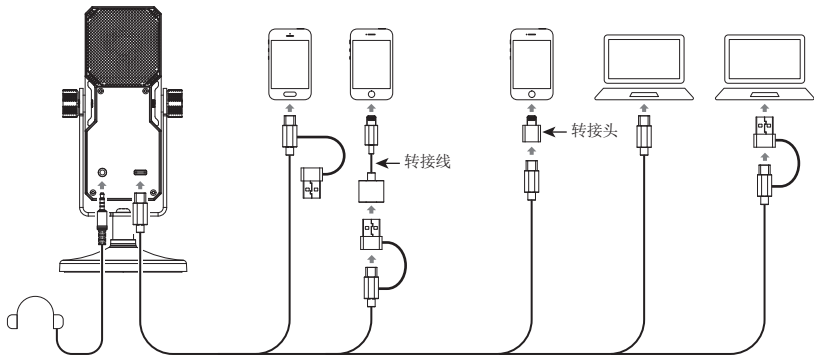
2. 搭配悬臂支架

通过麦克风的3/8螺纹孔连接麦克风和悬臂支架；根据个人需求调节麦克风的角



使用方法

通过二合一音频连接线和相关音频转接线/转接头连接麦克风和手机/电脑；根据个人需求选择是否监听



👉 搭配Lightning接口设备时，请自行购买对应的USB-Lightning转接线/转接头

技术规格

声学原理	电容式
指向性	心型指向
咪头灵敏度	-37dB±2dB
麦克风频率响应	20Hz ~ 20kHz
最大声压级	120dB
信噪比	70dB
等效噪声	24dBA
动态范围	96dB
采样率	48kHz
位深	24-bit
输出接口	USB-C
监听接口	3.5mm TRS/TRRS
产品重量	580g
产品尺寸	191 x 82 x 39mm
工作温度	0℃~+50℃
储存温度	-20℃~+60℃



扫二维码关注
科唛官方公众号



COMICA科唛



COMICA科唛



COMICA科唛



COMICA科唛

邮箱: support@comica-audio.com

电话: 400-8303-981

网址: comica-audio.com

版权及科唛商标归咪莱科技有限公司所有