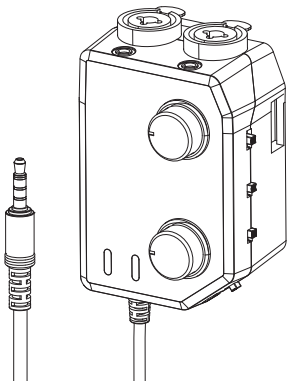


LinkFlex AD3

Two-channel XLR/3.5mm/6.35mm Audio Preamp
Mixer / Adapter / Interface for Camera and Smartphone



User Manual

Foreword

Thanks for purchasing COMICA Two-channel XLR/3.5mm/6.35mm Audio Preamp Mixer/Adapter/Interface LinkFlex AD3

Main Features

- . Support Two-channel Audio Input;
- . XLR/3.5mm/6.35mm (For Instrument like Guitar etc.,) Audio Adapter Interface;
- . Universal for Camera and Smartphone;
- . Support 48V Phantom Power Output;
- . Audio Preamp and Gain Control ;
- . Mic/Phone Two-way Audio Monitor;
- . Belt-clamp and Magic-tape Design at the Bottom;

Notice

- ⚠ When working with other products which have high sensitivity, the gain of our product should be adjusted to the appropriate position to avoid the situation of sonic boom or howling (it is recommended to adjust the gain to the minimum state when the product is turned on, and then adjust it step by step);
- ⚠ When the Interface works with iPhone with lightning audio input, you need to use the original adapter cable;
- ⚠ For the Android system smartphone, the Interface works well in audio mode, but video mode will happen with incompatibility trouble while working with some smartphone;(Then we suggest that you try the 3rd party's video APP);
For the iOS system phone, the Interface works well in all audio mode, video mode, and 3rd party's APP;
- ⚠ This product belongs to high-precision instruments, please avoid falling, collision or pounding;
- ⚠ Do not use this equipment in the vicinity of heat source or interference source, such as radiator, oven, refrigerator or air conditioner;
- ⚠ Please keep the product in a dry environment;
- ⚠ Do not use the equipment in rain or in a damp environment, otherwise there will be a risk of the circuit;

Package Contents



Audio Interface



Belt Clamp



Magic-tape



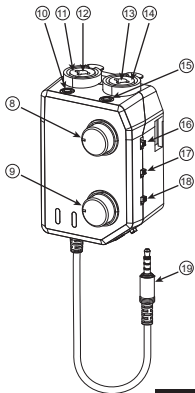
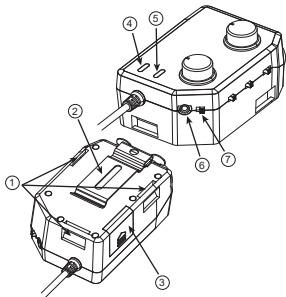
User Manual



Warranty Card

Components and Instruction

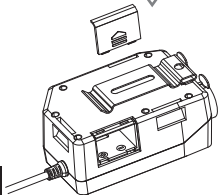
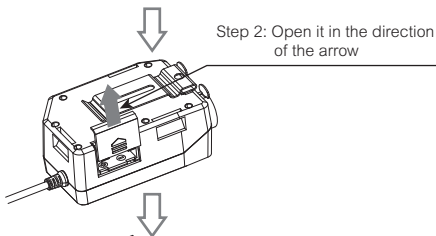
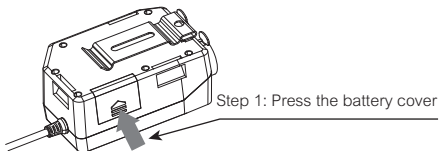
- ① Magic-tape Fixing Slot
- ② Belt Clamp
- ③ Battery Cover
- ④ Phantom Power Indicator Light
- ⑤ Power Indicator Light
- ⑥ 3.5mm Audio Monitor Output Jack
- ⑦ Phone / Mic Monitor Switch
- ⑧ Right Gain-Control Knob
- ⑨ Left Gain-Control Knob
- ⑩ Left 3.5mm Mono Audio Input Jack
- ⑪ Left XLR Mono Audio Input Jack
- ⑫ Left 6.35mm Mono Audio Input Jack
- ⑬ Right 6.35mm Mono Audio Input Jack
- ⑭ Right XLR Mono Audio Input Jack
- ⑮ Right 3.5mm Mono Audio Input Jack
- ⑯ Power / Phantom Power Switch
- ⑰ Phone / Camera Audio Output Switch
- ⑱ Mono/Stereo Switch
- ⑲ 3.5mm Audio Output Plug

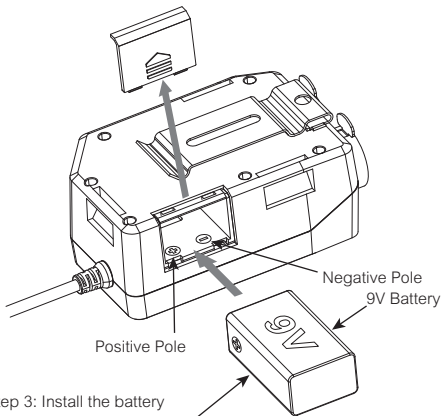


Installation and Usage

1. Battery installation

Press the battery cover and open it in the direction of the arrow, Install the 9V battery according to the corresponding positive and negative poles.

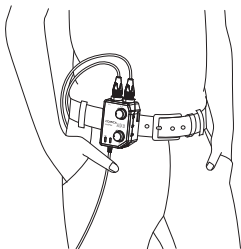




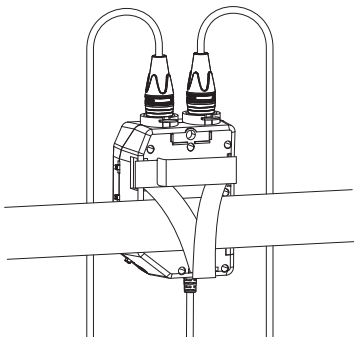
Please note that the positive and negative poles of the battery should correspond to the positive and negative poles of the product

2.Usage method

Hang the belt clamp on the belt to use;

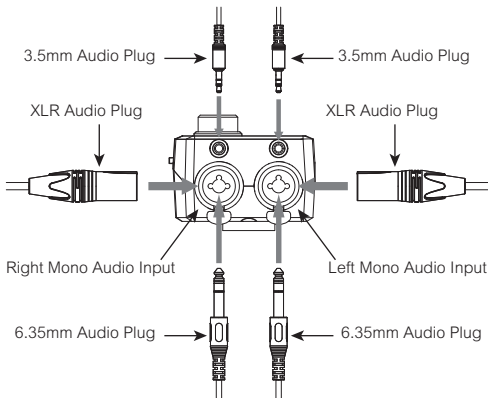


Pass the Magic-tape through the Magic-tape Fixing Slot and attach it to the fixture for use;



3. Left/right mono audio input

This product supports XLR/3.5mm/6.35mm audio jack,
Please insert the microphone plug into the corresponding
jack when using




The 6.35mm and XLR are in the same jack and
cannot be used at the same time

4. Installation method (Take XLR audio plug for example)



1. After installing the recording device, adjust the output mode according to the device

 : Smartphone Mode

 : Camera Mode

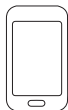
2. After installing the monitor headphones, please adjust the monitor mode according to the requirements

 : Smartphone Playback Monitoring Mode

MIC : Microphone Real-time Monitoring Mode

Step 1:
Install left and right mono microphones

Step 2:
Install the monitor headphones



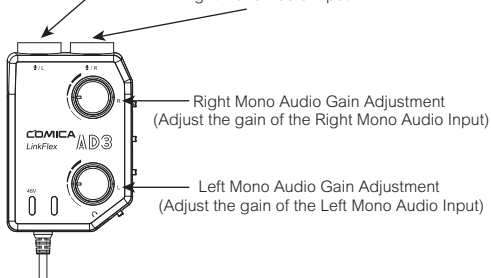
Step 3:
Install the recording device
(smartphone or camera)

5. Left and right channel gain-control knobs

Rotate the corresponding audio gain-control knob to adjust the gain of the corresponding audio input channel

Left Mono Audio Input

Right Mono Audio Input



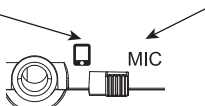
6. Smartphone/Microphone monitoring switch

: Smartphone Playback Monitoring Mode

: Microphone Real-time Monitoring Mode

Smartphone Playback
Monitoring

Microphone Real-time
Monitoring

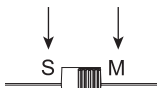


In the camera output mode, the switch does not work and only the microphone real-time monitoring works

7. Mono/Stereo output switch

S: Stereo Mode; M: Mono Mode

Stereo Mode Mono Mode



When there is only one group microphone connected with this device, then you have to set the M/S to Mono mode

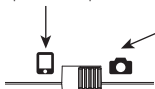
8. Smartphone/Camera output mode switch

: Smartphone Output Mode

: Camera Output Mode

Smartphone Output Mode

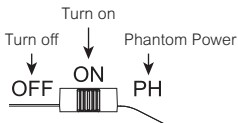
Camera Output Mode



Without the correct switch to the corresponding output mode will result in an unsuccessful recording

9. Power/ Phantom power switch

OFF: Turn off; ON: Turn on; PH: Phantom Power



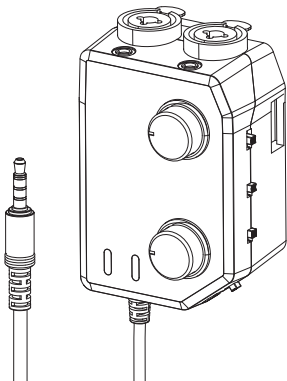
If your microphone requires phantom power to work, please set the switch to PH

Specifications

Input Interface	XLR x 2(L/R) 6.35mm x 2(L/R) 3.5mm x 2(L/R)
Audio Output	3.5mm TRS
Monitoring Output	3.5mm TRS/TRRS
Frequency Response	20Hz~20kHz, ± 1 dB
Gain Range	Maximum increase +30dB
THD+Noise	$<0.1\%$, $R_L=2k\Omega$, $f=20\text{Hz}\sim 20\text{kHz}$, $V_o=1V_{rms}$
Battery	9V 6LR61/6F22 x 1
Power Consumption	Phantom power off: 210mW Phantom power on: 290mW (not considering microphone load)
Net Weight	159g
Dimension	70 x 53 x 102mm
Working Temperature	0°C ~ +50°C
Storage Temperature	-20°C ~ +60°C

LinkFlex AD3

双声道卡侖/3.5mm/6.35mm相机手机专用
音频前置放大混音器/转接器/连接座



产品使用说明书

前 言

感谢您购买科唛双声道音频前置放大混音器/转接器/连接座 LINKFLEX AD3。

产品主要功能

- 支持双声道输入；
- 卡侬/3.5mm/6.35mm（吉他等乐器专用）多接口音频转换；
- 手机/相机通用；
- 支持48V幻象电输出；
- 前置放大增益可调；
- MIC/手机双向监听；
- 底部腰带夹及魔术贴固定位设计；

注意事项

- ⚠ 搭配部分灵敏度较高的产品使用时，需将本产品的增益调至合适位置以避免出现爆音和啸叫的情况（建议在开机时将增益调至最小状态，再逐级进行调节）
- ⚠ 用于Lightning音频接口的iPhone手机时需搭配原装Lightning音频转换线使用；
- ⚠ 配合Android（安卓）系统的手机使用时，录音模式下均可正常工作，视频模式下部分手机会出现不兼容情况（此时建议使用第三方视频软件，如：抖音，快手等）；
配合iOS系统手机使用时，在所有录音模式、视频模式以及第三方视频软件下均可正常使用；
- ⚠ 本品属于高精密仪器类产品，请勿使用时掉落、碰撞或撞击；
- ⚠ 请勿将本设备放置在热源或干扰源附近使用，如散热器、烤箱或冰箱空调旁边；
- ⚠ 请在干燥环境中对该产品进行保存；
- ⚠ 不要在雨中或潮湿的环境中使用该设备，否则会有短路的危险；

包装清单



转换器主体



腰带夹



魔术贴



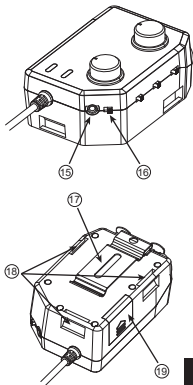
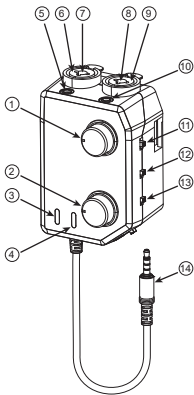
说明书



保修卡

部件介绍及说明

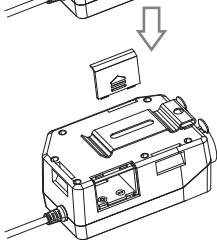
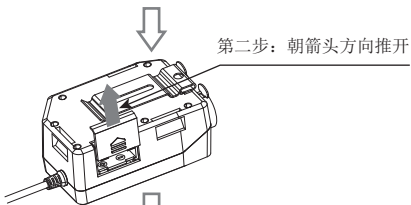
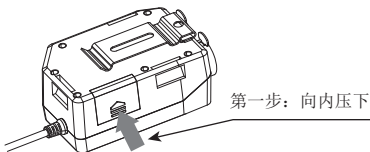
- ① 右声道增益调节旋钮
- ② 左声道增益调节旋钮
- ③ 幻象电源指示灯
- ④ 电源指示灯
- ⑤ 左声道3.5mm音频输入接口
- ⑥ 左声道卡侖音频输入接口
- ⑦ 左声道6.35mm音频输入接口
- ⑧ 右声道6.35mm音频输入接口
- ⑨ 右声道卡侖音频输入接口
- ⑩ 右声道3.5mm音频输入接口
- ⑪ 电源/幻象电源开关
- ⑫ 手机/相机音频输出切换开关
- ⑬ 单声道/立体声切换开关
- ⑭ 3.5mm音频输出接头
- ⑮ 3.5mm监听输出接口
- ⑯ 手机/麦克风监听切换开关
- ⑰ 腰带夹
- ⑱ 魔术贴固定槽
- ⑲ 电池盖

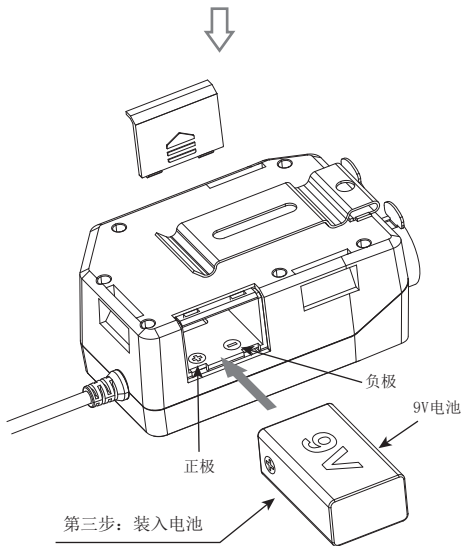


安装与使用

1. 电池安装

按下电池盖并朝箭头方向打开，按对应的正负极安装9V电池

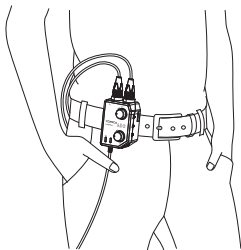




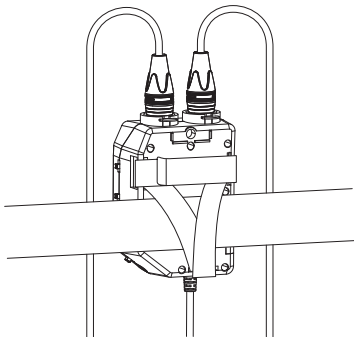
👉 请注意电池的正负极要对应产品正负极

2. 使用方式

通过腰带夹挂在腰带上使用；

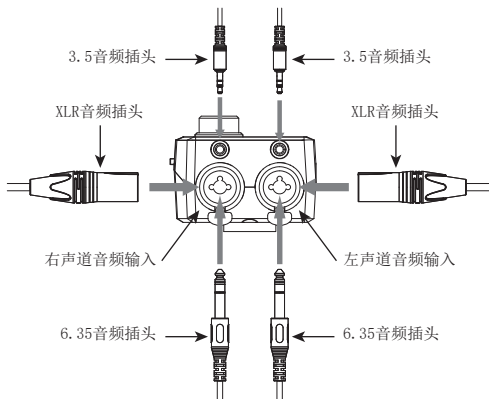



使用魔术贴穿过魔术贴固定槽，绑在固定物上使用；



3. 左/右声道音频输入

本产品支持XLR、6.35mm和3.5mm音频接口，使用时请将麦克风插头插入对应的接口即可



 6.35mm与XLR同在一个座子上，因此不能同时使用

4. 安装方式：（以XLR音频插头为例）




第一步：
安装左右声道麦克风



1. 安装录音设备后请根据设备调整输出模式

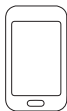
:手机模式 :相机模式

2. 安装监听耳机后请根据需要调整监听模式

:手机回放监听模式

MIC:麦克风实时监听模式

第二步：
安装监听耳机

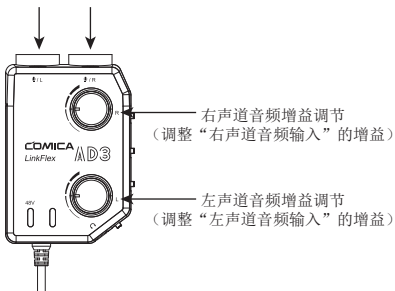


第三步：
安装录音设备（手机或相机）

5. 左/右声道增益调节旋钮

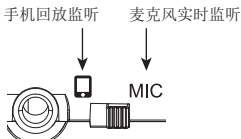
旋转对应音频增益调节旋钮即可调整对应的音频输入声道的增益


左声道音频输入 右声道音频输入



6. 手机/麦克风监听切换开关

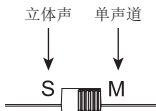
 :为手机回放监听模式; MIC:为麦克风实时监听模式



 在相机输出模式下该切换开关不起作用，只能麦克风实时监听

7. 单声道/立体声输出切换

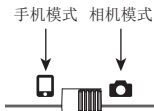
S为立体声模式；M为单声道模式



👉 当只接入一路麦克风时，请选择在单声道模式下进行工作，否则只有一个声道有声音

8. 手机/相机输出模式切换

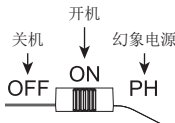
📱为手机输出模式；📷为相机输出模式



👉 如不切换正确的输出模式，将会导致录音不成功

9. 电源开关与幻象电源模式

OFF为关机；ON为开机；PH为幻象电源模式



👉 如果您的麦克风需要幻象电源供电才能工作，请将此开关拨到“PH”档

技术参数

输入	XLR x 2(L/R) 6.35mm x 2(L/R) 3.5mm x 2(L/R)
音频输出	3.5mm TRS
监听输出	3.5mm TRS/TRRS
频响	20Hz~20kHz, ± 1 dB
增益	最大增加30dB
总谐波失真	$<0.1\%$, $R_L=2k\Omega$, $f=20\text{Hz}\sim 20\text{kHz}$, $V_o=1V_{rms}$
电池	9V 6LR61/6F22 x 1
功耗	幻象电关闭: 210mW 幻象电打开: 290mW(并未考虑麦克风负载)
产品重量	159g
产品尺寸	70 x 53 x 102mm
工作温度	0°C ~ +50°C
存储温度	-20°C ~ +60°C



Website: comica-audio.com

Facebook: Comica Audio Tech Global

Instagram: Comica Audio

YouTube: Comica Audio