

VM10-K2 **PRO**

Multi-functional Smartphone Video Kit

User Manual

Foreword

Thanks for purchasing VM10-K2 PRO

Main Features

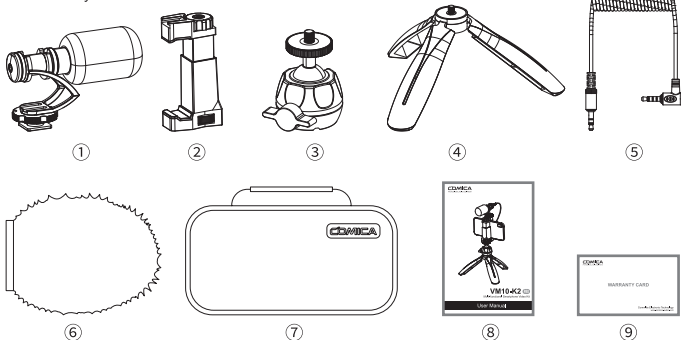
- . Support Horizontal and Vertical Shooting
- . 360°Adjustable Rotation, Stable and Convenient
- . Cardioid Pattern Professional Microphone Video Kit
- . Versatile Smartphone Clamp with Built-in Cold Shoe, Extendable and Flexible
- . CNC Processing, Solid and Durable

Notice

- ⚠ Do not use this equipment in the vicinity of heat source or interference source
- ⚠ This product belongs to high-precision instruments, please avoid falling, collision or pounding
- ⚠ Do not use the equipment in rain or in a damp environment to avoid short-circuit danger

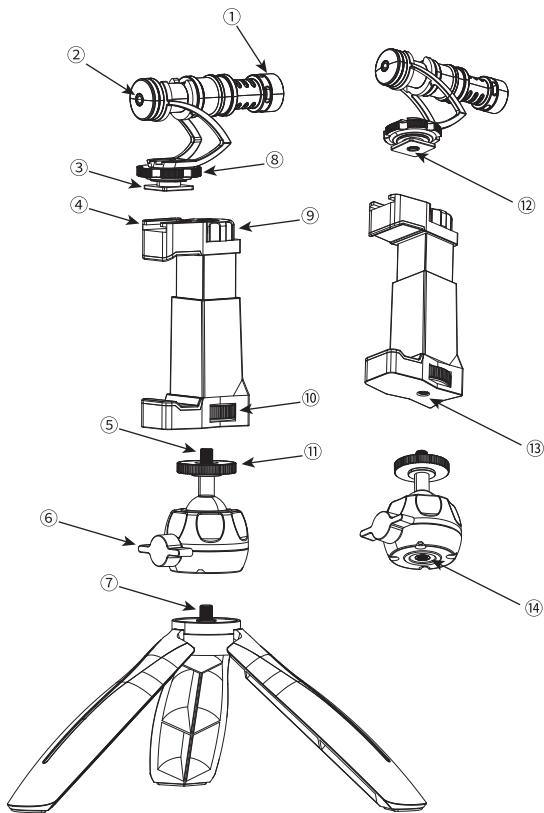
Packing List

1. Microphone
2. Smartphone Holder
3. Ball Head
4. Tripod
5. 3.5mm TRS - TRRS Audio Cable
6. Wind Muff
7. Carry Case
8. User Manual
9. Warranty Card



Components Introduction

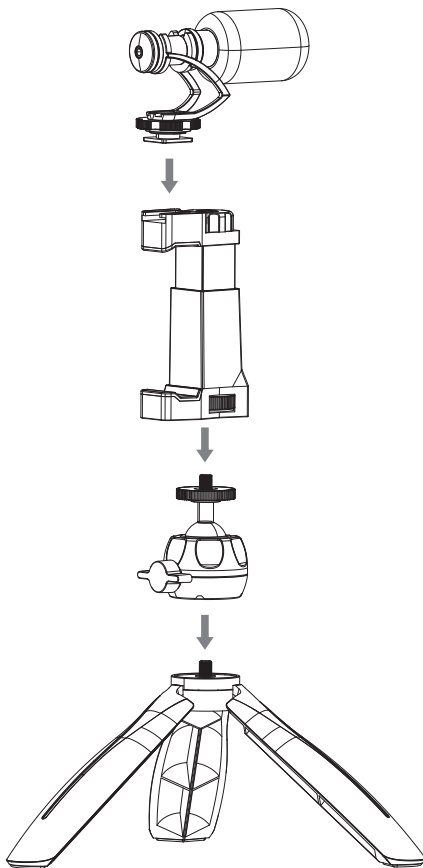
1. Mic Capsule
2. 3.5mm TRS Audio Output Port
3. Cold Shoe Mount
4. Cold Shoe
5. 1/4 Male Screw
6. Lever
7. 1/4 Male Screw
8. Microphone Locking Plate
9. Height Adjustment Locking Plate
10. Smartphone Holder Locking Plate
11. Ball Head Locking Plate
12. 1/4 Threaded Hole
13. 1/4 Threaded Hole
14. 1/4 Threaded Hole



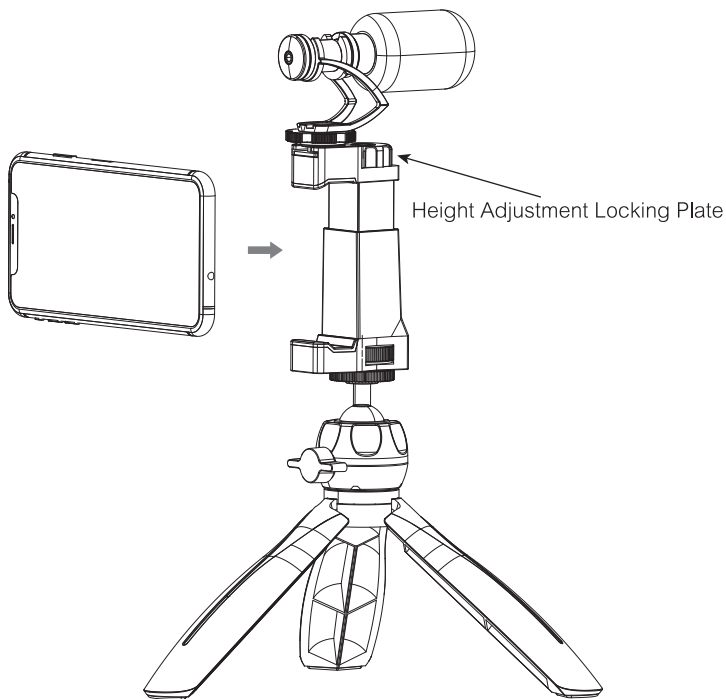
1. Put the ball head into the tripod through the 1/4 threaded hole and tighten it

Install the smartphone holder on the ball head through the 1/4 threaded hole, then tighten it through the smartphone holder locking plate and ball head locking plate

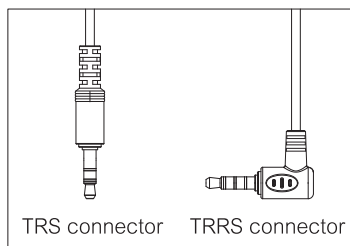
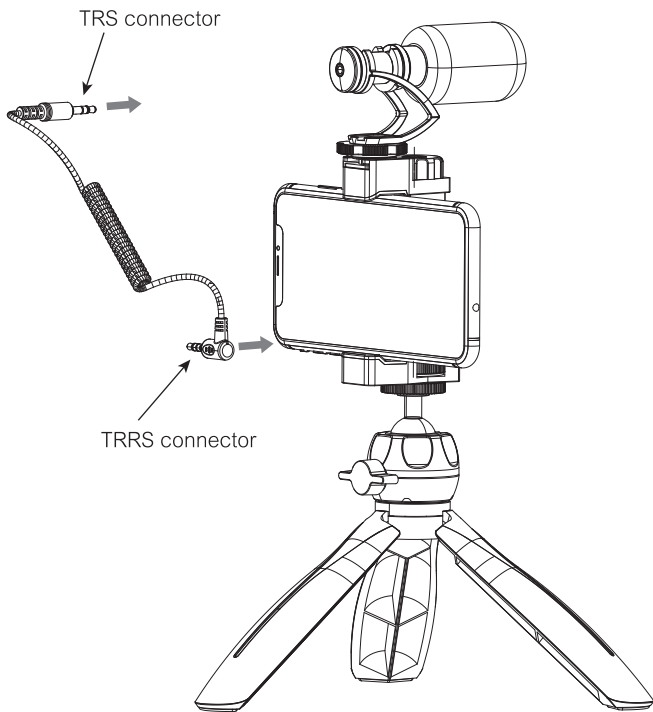
Insert the microphone's cold shoe mount into the cold shoe, and then tighten the microphone locking plate to fix it



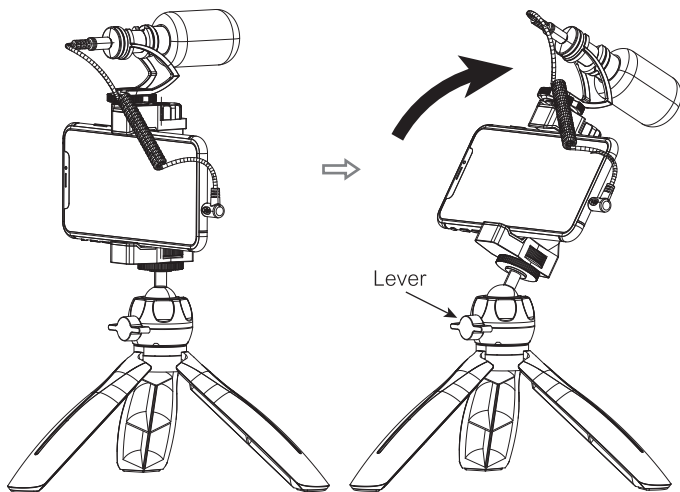
2. Adjust the phone holder to an appropriate height through the height adjustment locking plate, then install the phone and fix it



3. Connect the microphone to the smartphone through the 3.5mm TRS-TRRS audio cable. TRS connector is for microphone, TRRS connector is for smartphone

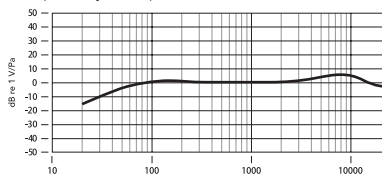


4. You can adjust the use angle of smartphone holder by lever of the ball head

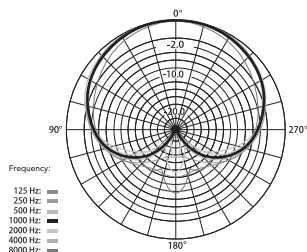


Microphone

1. Frequency Response



2. Polar Pattern



3. Technology Parameters

Polar Pattern	Cardioid
Frequency Response	60Hz~20kHz
S/N	75dB
Equivalent Noise	19dBA
Maximum SPL	130dB
Dynamic Range	111dB
Sensitivity	-33dB±2dB
Working voltage	1V~5V DC
Output Interface	3.5mm TRS
Dimension	Φ 21mm x 85mm
Net Weight	35g
Operating Temperature	0~50 C
Storage Temperature	-20 C ~ 60 C

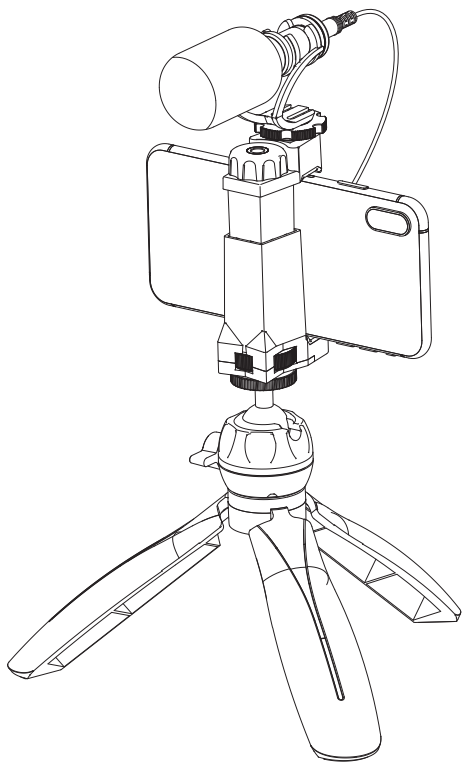


Website: comica-audio.com

Facebook: Comica Audio Tech Global

Instagram: Comica Audio

YouTube: Comica Audio



VM10-K2 PRO
多功能手机拍摄套装

产品使用说明书

前言

感谢您购买科唛 VM10-K2 PRO

产品主要功能

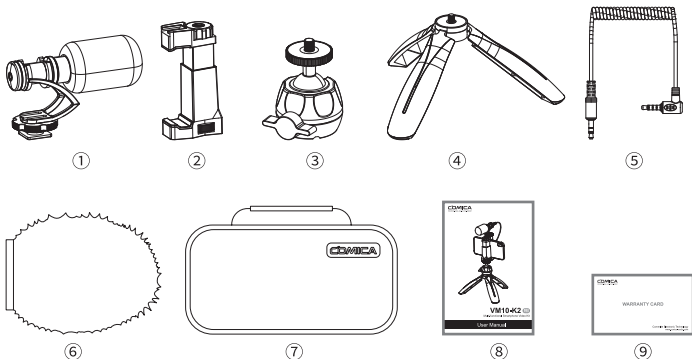
- 支持手机横竖拍任意模式
- 云台可360度旋转，稳固牢靠
- 心型指向专业麦克风音视频套装
- 内置冷靴接口多功能手机夹，延展性强
- 全金属CNC加工而成，稳固耐用

注意事项

- ⚠ 使用时请远离热源或干扰源
- ⚠ 使用时请避免掉落，碰撞或重击
- ⚠ 请勿在下雨或潮湿环境中使用，否则会有短路的危险

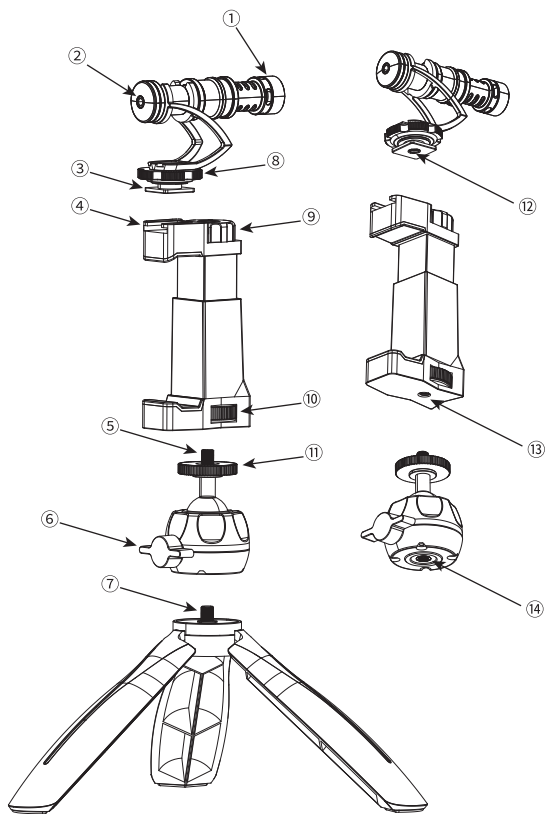
包装清单

1. 麦克风
2. 手机夹
3. 云台
4. 三脚架
5. 3.5mm TRS-TRRS 音频连接线
6. 防风毛
7. 便携包
8. 说明书
9. 保修卡



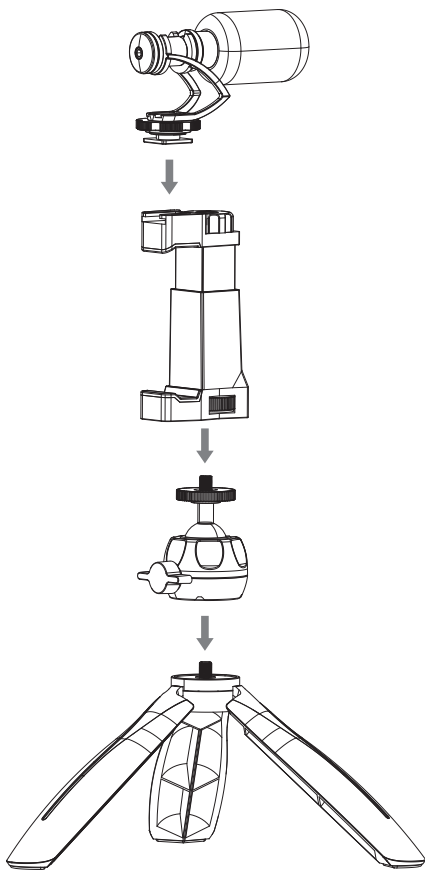
部件介绍及说明

1. 拾音头
2. 3.5mm TRS音频输出插口
3. 冷靴座
4. 冷靴
5. 1/4螺纹接头
6. 方向锁紧旋钮
7. 1/4螺纹接头
8. 麦克风锁紧螺盘
9. 手机夹高度调整螺盘
10. 手机夹锁紧螺盘
11. 云台锁紧螺盘
12. 1/4螺纹孔
13. 1/4螺纹孔
14. 1/4螺纹孔

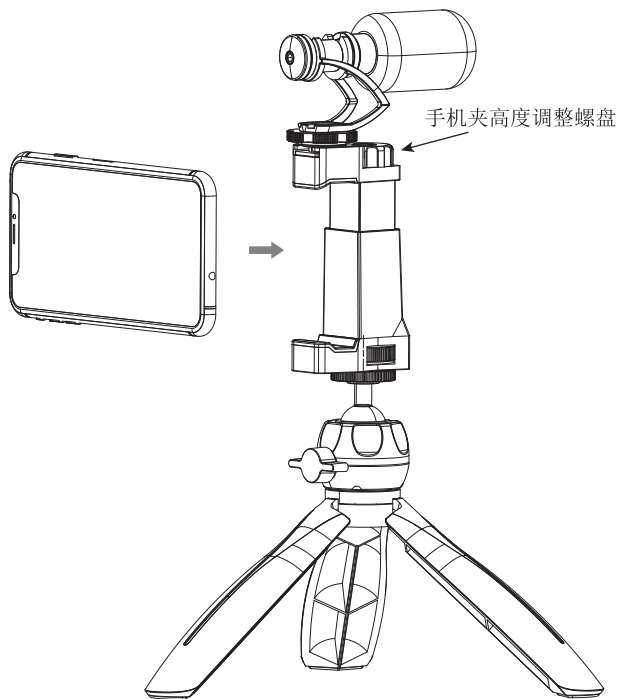


安装方法

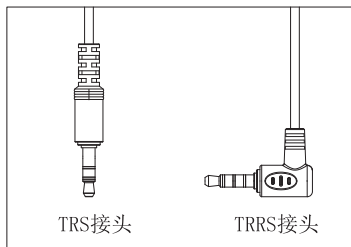
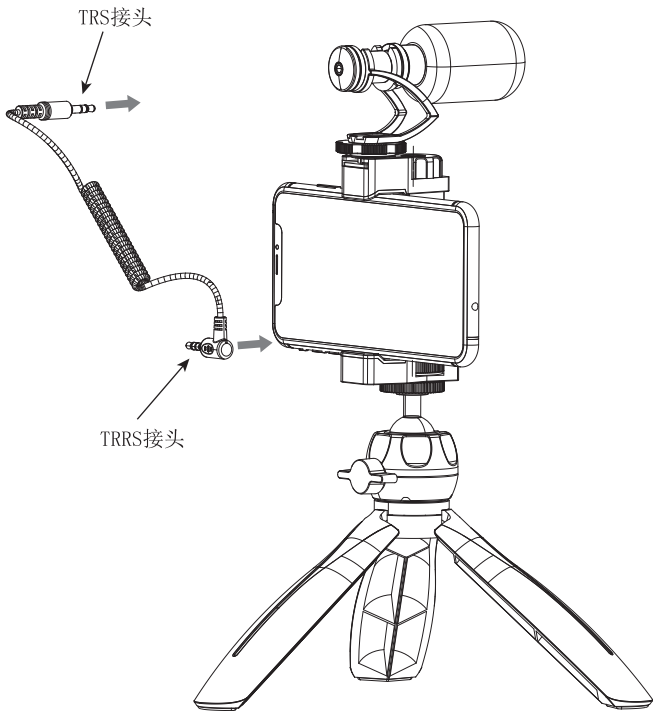
1. 把云台通过1/4螺纹孔装入三脚架并拧紧；
把手机夹通过1/4螺纹孔装入云台，再通过手机夹锁紧螺盘与云台锁紧螺盘拧紧固定；
把麦克风冷靴座插入手机夹冷靴，再通过麦克风锁紧螺盘拧紧固定



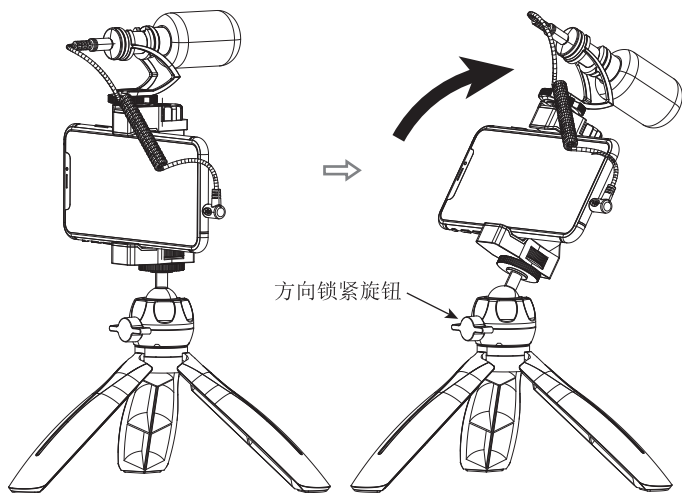
2. 通过手机夹高度调整螺盘调整手机夹到适当的高度；装入手机并固定



3. 通过3.5mm TRS-TRRS音频连接线连接麦克风与手机，注意连接麦克风的一头为TRS接头，连接手机的另一头为TRRS接头

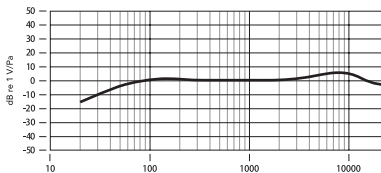


4. 通过云台的方向锁紧旋钮可调整手机夹的使用角度

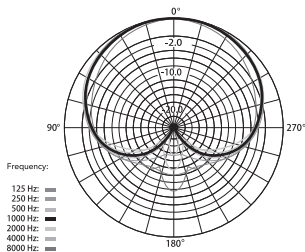


麦克风

1. 频率响应



2. 指向性图



3. 性能参数

指向性	心型
频响	60Hz~20kHz
信噪比	75dB
等效噪声	19dBA
最大声压级	130dB
动态范围	111dB
灵敏度	-33dB±2dB
工作电压	1V~5V DC
输出接口	3.5mm TRS
尺寸	Φ 21mm x 85mm
净重	35g
工作温度	0~50 C
存储温度	-20 C ~ 60 C



扫二维码关注
科唛官方公众号



COMICA科唛



COMICA科唛



COMICA科唛



COMICA科唛

邮箱: support@comica-audio.com

电话: 400-8303-981

网址: comica-audio.com

版权及科唛商标归咋莱科技有限公司所有