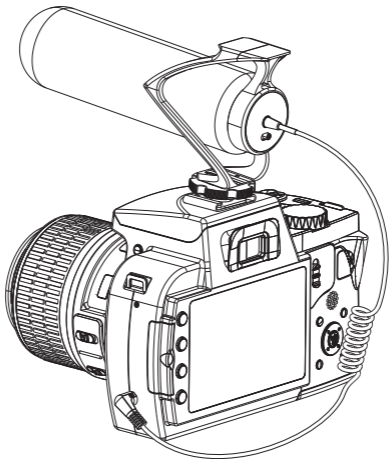


**COMICA**  
PROFESSIONAL AUDIO EQUIPMENT

# CVM-V30 LITE

Super Cardioid Condenser Lite Microphone



**USER MANUAL**



## Foreword

Thanks for purchasing COMICA CVM-V30 Lite Super-cardioid condenser lite microphone.

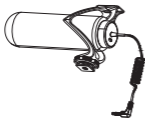
## Notice

- ⚠ When used with USB interface smartphones, please purchase corresponding audio adapter cable.
- ⚠ For the Android system smartphone, the microphone works well in default audio mode, but default video mode will happen with incompatibility trouble while working with some smartphone; (Then we suggest you try the 3rd party's video APP);  
For the iOS system phone, the microphone works well in all default audio mode , video mode, and 3rd party's APP.
- ⚠ Please do not put the device beside the heat or interference source.
- ⚠ Please avoid falling, collision or pounding during usage.
- ⚠ Don't expose the device in rain or moist environment .

## Main Features

- .Super-Cardioid Polar Pattern
- .Support Smartphone & Camera
- .Excellent Shock Mount
- .No Battery Drive Design
- .Super Low Noise Electronics
- .Super Anti-interference
- .Cold-shoe Design with 1/4 Thread at the Bottom
- .Compact and Light, Easy to Carry

## Packing List



Microphone



User Manual

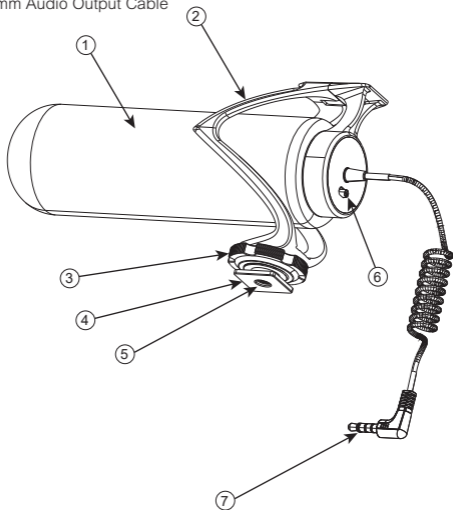


Warranty Card

## Components Introduction

### Microphone

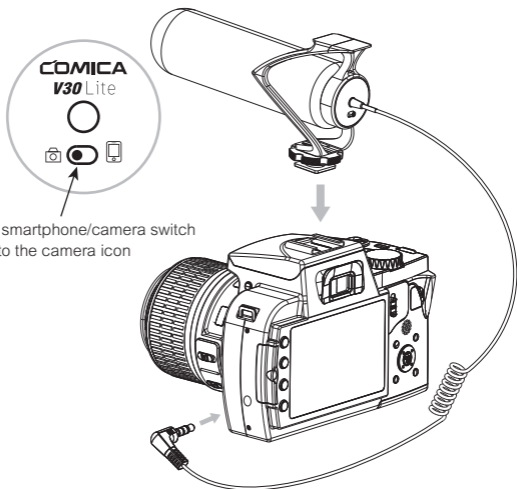
- ① Microphone Interference Tube
- ② Shock Mount
- ③ Locking Screw
- ④ Cold-shoe Bracket
- ⑤ 1/4 Screw Hole
- ⑥ Smartphone/Camera Switch Button
- ⑦ 3.5mm Audio Output Cable



## Installation and Usage

### Use with Camera

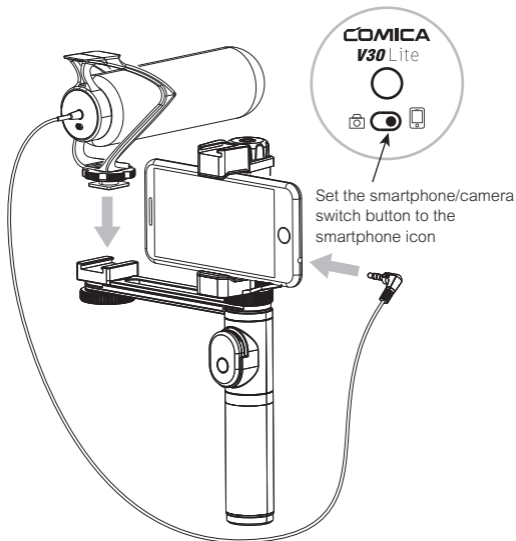
Attach the microphone cold shoe bracket to the camera, fasten the locking screw; Connect the microphone's 3.5mm audio output cable to camera; Set the smartphone/camera switch button to the camera icon.



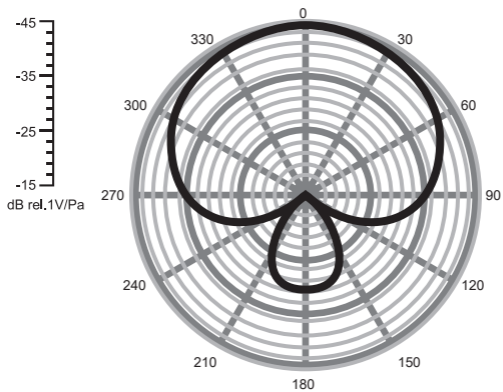
Set the smartphone/camera switch button to the camera icon

## Use with Phone

Mount microphone cold shoe bracket to accessories with cold-shoe interface (please purchase the accessory by yourself), fasten the locking screw; Connect the microphone's 3.5mm audio output cable to smartphone; Set the smartphone/camera switch button to the smartphone icon.



## Tech Parameters



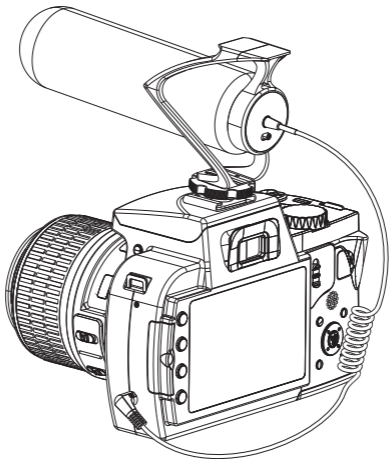


Polar Pattern	Super Cardioid
Frequency Range	20Hz~20kHz
Sensitivity	-33dB±2dB
Output Impedance	2.2 kΩ
S/N	70dB
Equivalent Noise	24dBA
Maximum SPL	130dB
Dynamic Range	106dB
Output Type	3.5mm TRRS Plug
Net Weight	52g
Dimension	160 * 51 * 86mm
Operating Temperature	0 ~ 50℃
Storage Temperature	-20℃ ~ 60℃



## CVM-V30 LITE

超心型指向电容式麦克风（轻筒版）





## 前 言

感谢您购买科唛COMICA CVM-V30 LITE轻筒版超心型指向电容式麦克风

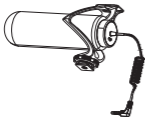
## 注意事项

- ⚠ 当搭配USB接口手机使用时，请单独购买相对应的音频转换器
- ⚠ 配合Android（安卓）系统的手机使用时，录音模式下均可正常工作，视频模式下部分手机会出现不兼容情况（此时建议使用第三方视频软件，如：抖音，快手等）  
配合iOS系统手机使用时，在所有录音模式、视频模式以及第三方视频软件下均可正常使用
- ⚠ 使用时请远离热源或干扰源
- ⚠ 使用时请避免掉落，碰撞或重击
- ⚠ 请勿在下雨或潮湿环境环境中使用，否则会有短路的危险

## 产品主要功能

- . 超心型指向
- . 支持相机/手机
- . 独创的减震架设计
- . 无电池驱动设计
- . 超低底噪
- . 超强屏蔽功能
- . 冷靴底部1/4螺孔设计
- . 轻便易携

## 包装清单



麦克风



说明书

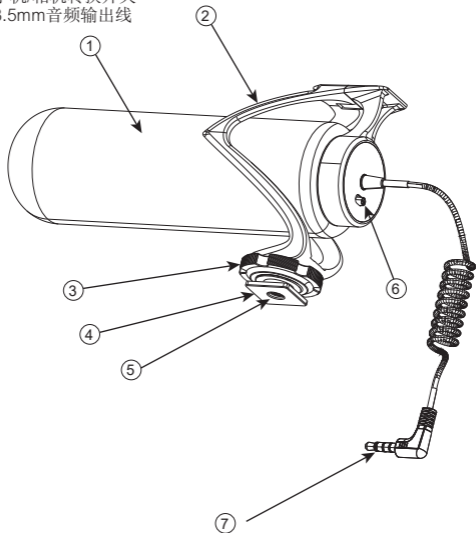


保修卡

## 部件介绍及说明

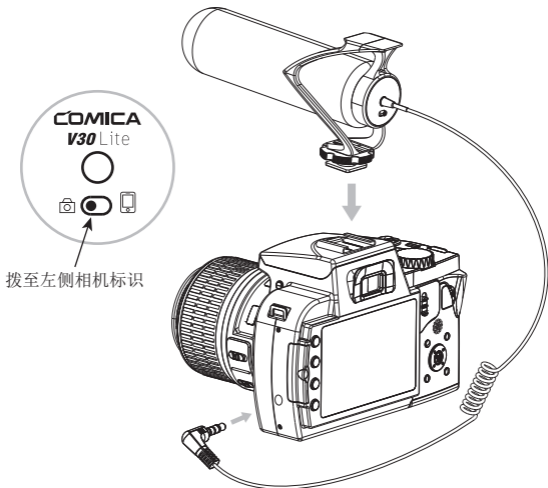
### 麦克风

- ① 干涉管
- ② 减震支架
- ③ 转牙锁盘
- ④ 冷靴底座
- ⑤ 底部1/4延展螺孔
- ⑥ 手机/相机转换开关
- ⑦ 3.5mm音频输出线



### 搭配相机使用

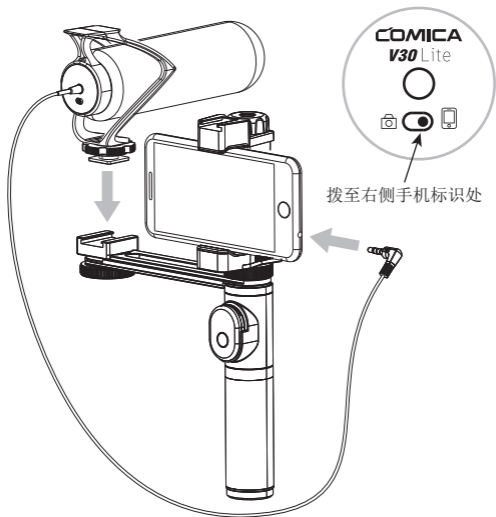
将麦克风冷靴底座安装至相机，拧紧锁盘至固定，并连接3.5mm音频线至相机音频接口将手机/相机转换开关拨至左侧相机标识处。



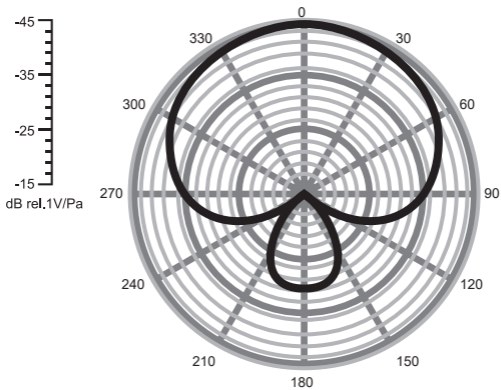


## 搭配手机使用

将麦克风冷靴底座安装至带冷靴接口的配件，拧紧锁盘至固定，并连接3.5mm音频线至手机音频接口将手机/相机转换开关拨至右侧手机标识处(需自行购买带冷靴接口的配件)。



## 技术参数



指向性	超心型
频响范围	20Hz ~ 20kHz
灵敏度	-33dB±2dB
输出阻抗	2.2 kΩ
信噪比	70dB
等效噪声	24dBA
最大声压级	130dB
动态范围	106dB
输出类型	3.5mm TRRS 接头
产品重量	52g
产品尺寸	160 x 51 x 86mm
工作温度	0 ~ 50℃
存储温度	-20℃ ~ 60℃



Website: [comica-audio.com](http://comica-audio.com)

Facebook: Comica Audio Tech Global

Instagram: Comica Audio

YouTube: Comica Audio