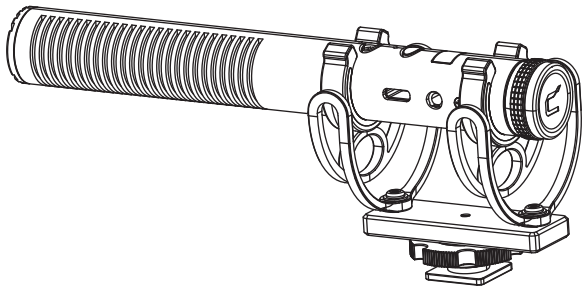


**COMICA**  
PROFESSIONAL AUDIO EQUIPMENT

# VM20

Multi-Functional Super Cardioid Condenser Shotgun Microphone



**USER MANUAL**



## Foreword

Thanks for purchasing COMICA VM20

## Main Features

- . 75/150Hz Two Low-cut Filter Modes
- . Adjustable Stepless Gain Control
- . OLED Visualized Power
- . Universal for Devices with 3.5mm TRS/TRRS and XLR Interface
- . USB-C Rechargeable Built-in Lithium Battery, Support Working while Charging
- . Full Metal Material Construction, Super Shielding, Stable and Durable

## Notice

- ⚠ When it needs to be used for a long time, it can be connected to the power bank to realize charging while using. AC/DC power is not supported to avoid noise problem
- ⚠ Do not use this equipment in the vicinity of heat source or interference source
- ⚠ This product belongs to high-precision instruments, please avoid falling, collision or pounding
- ⚠ Do not use the equipment in rain or in a damp environment to avoid short-circuit danger
- ⚠ After using, please pay attention to turn off the device for storage

## Packing List

1. Microphone
2. Shock Mount
3. Windscreen
4. Wind Muff
5. 3.5mm TRS-TRS Audio Cable
6. 3.5mm TRS-TTRS Audio Cable
7. Charging Cable
8. Carry Case
9. User Manual
10. Warranty Card



①



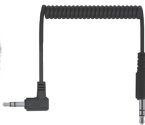
②



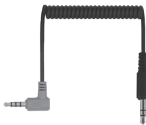
③



④



⑤



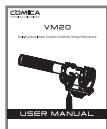
⑥



⑦



⑧



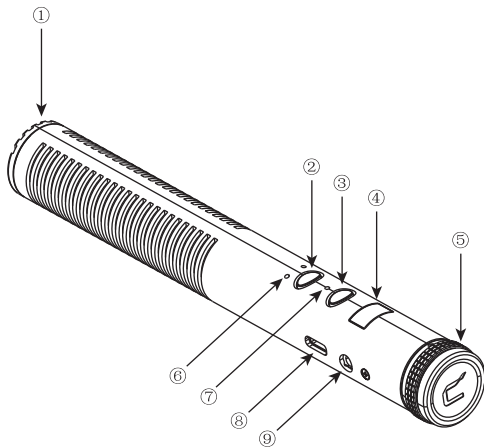
⑨



⑩

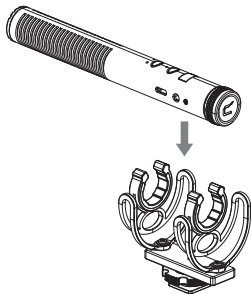
### Microphone

1. Mic Capsule
2. Low Cut Filter Button
3. Power Button
4. Battery Level Display Screen
5. Gain Control Knob
6. Low Cut Filter Indicator Light
7. Power Indicator Light
8. USB-C Charging Port
9. 3.5mm TRS Audio Output Port

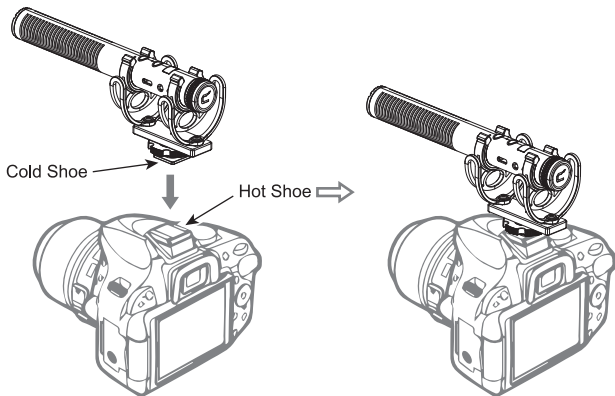


## 1. Work with Camera

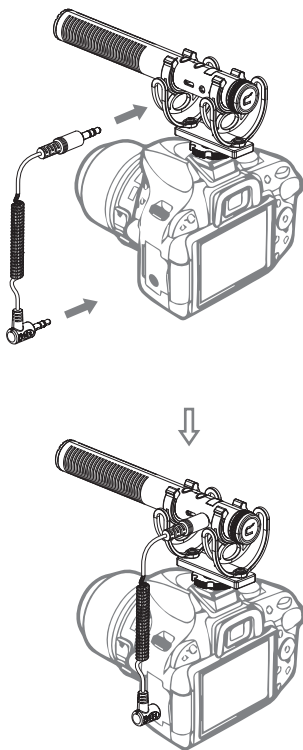
### 1.1 Install the Microphone to Shock Mount




### 1.2 Connect the Shock Mount to hot shoe of camera through cold shoe of Shock Mount



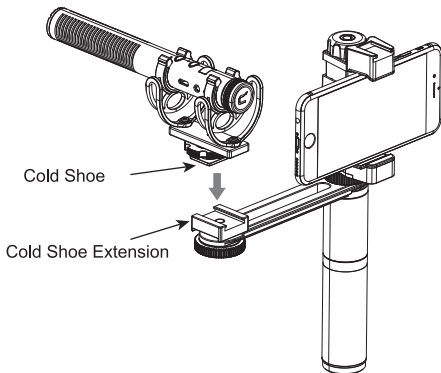
### 1.3 Connect microphone and camera through 3.5mm TRS - TRS Audio Cable



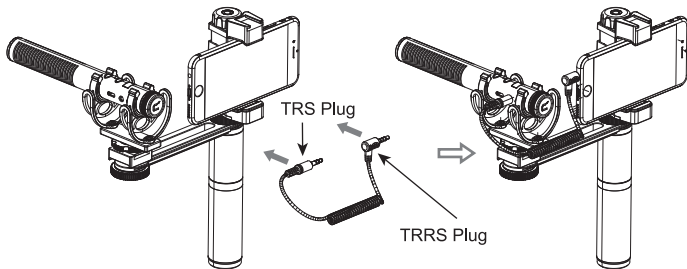
 When work with camcorder with XLR interface, please purchase 3.5mm TRS-XLR audio cable by yourself

## 2. Work with Phone

- 2.1 Install the Microphone to Shock Mount; connect the Shock Mount to cold shoe extension ( Please prepare the grip kit by yourself )



- 2.2 Connect microphone and smartphone through 3.5mm TRS - TRRS Audio Cable; 3.5mm TRS plug is for microphone, 3.5mm TRRS plug is for smartphone





### 1. Power Button

Long press for On/Off; the Power Indicator Light is blue when turn on it, the light is red when low battery



### 2. Low Cut Filter Button

Short press for switching Low Cut Filter. There are turn off, 75Hz, 150Hz three levels for switching. The Low Cut Filter Indicator Light is blue when choosing 75Hz or 150Hz level



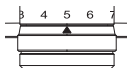
### 3. Battery Level Display Screen

It will display the battery status of microphone



### 4. Gain Control Knob

Rotate Gain Control Knob to adjust the gain of microphone



### 5. USB-C Charging Port

Connect external power supply to charge the microphone through USB-C Charging port; support working while charging for extending the working time



### 6. 3.5mm TRS Audio Output Port

It can be inserted with 3.5mm TRS audio cable for audio output



## Specifications

Polar Pattern	Super Cardioid
Frequency Response	20Hz ~ 20KHz
Low-cut	75Hz / 150Hz
Sensitivity Range	-43dB ~ -23dB
S/N	75dB
Equivalent Noise	19dBA
Maximum SPL	130dB
Output Form	3.5mm TRS
Power	Li-ion Battery 3.7V 300mAh
Standby Time	60 Hours
Size	Φ22mm x L 177mm
Net Weight	85g
Operating Temperature	0°C ~ 50°C
Storage Temperature	-20°C ~ 60°C



Website: [comica-audio.com](http://comica-audio.com)

Facebook: Comica Audio Tech Global

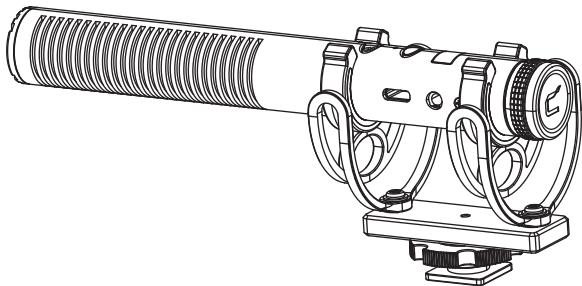
Instagram: Comica Audio

YouTube: Comica Audio



# VM20

多功能超心型电容枪式麦克风



用户使用手册








## 前言

感谢您购买科唛COMICA VM20

## 产品主要功能

- .75Hz/150Hz两档低切模式
- .无级增益可调
- .OLED可视化电量
- .通用于3.5mmTRS/TRRS,卡侬接口的设备
- .USB-C可充电内置锂电池,支持边充边用
- .全金属结构,超强屏蔽,稳固耐用

## 注意事项

-  当需要长时间使用时,可连接外部移动电源实现边充边用;不支持AC/DC电源供电,否则会产生噪音
-  使用时请远离热源或干扰源
-  使用时请避免掉落,碰撞或重击
-  请勿在下雨或潮湿环境中使用,否则会有短路的危险
-  使用完成后,请注意关机后再进行存放

## 包装清单

1. 麦克风主体
2. 支架
3. 防风棉
4. 防风毛
5. 3.5mm TRS-TRS音频连接线
6. 3.5mm TRS-TRRS音频连接线
7. 充电线
8. 便携包
9. 说明书
10. 保修卡



①



②



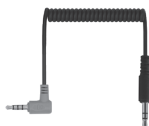
③



④



⑤



⑥



⑦



⑧



⑨

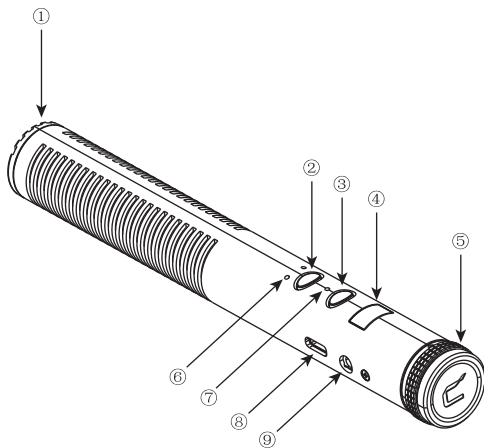


⑩



### 麦克风主体

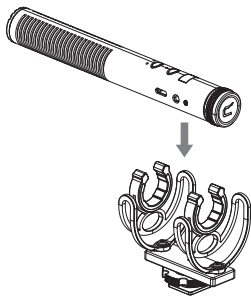
1. 拾音头
2. 低切选择开关
3. 电源键
4. 电量显示屏
5. 增益调节旋钮
6. 低切指示灯
7. 电源指示灯
8. USB-C 充电插口
9. 3.5mm TRS 音频输出插口



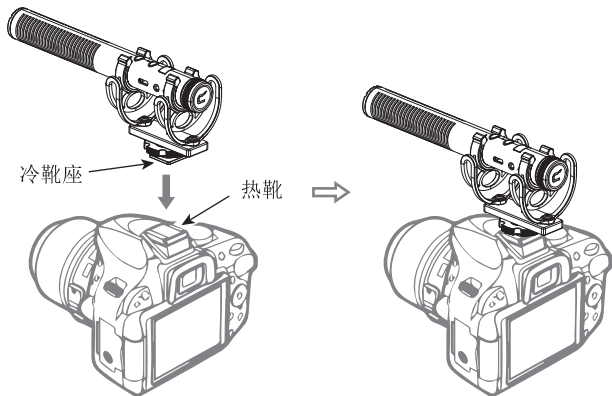
## 安装方法

### 1. 搭配相机安装方法

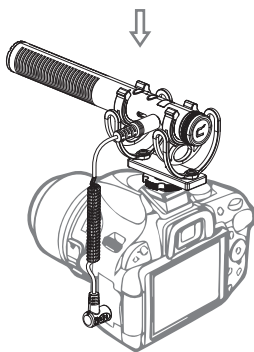
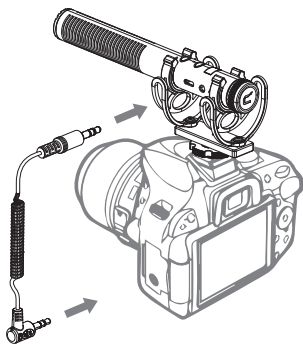
#### 1.1 把麦克风主体装到支架上




#### 1.2 通过冷靴座把支架装到相机热靴上



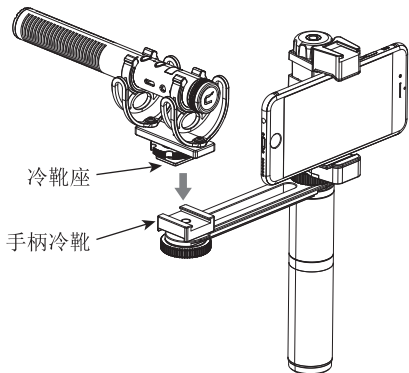
### 1.3 通过3.5mm TRS-TRS音频连接线连接麦克风与相机



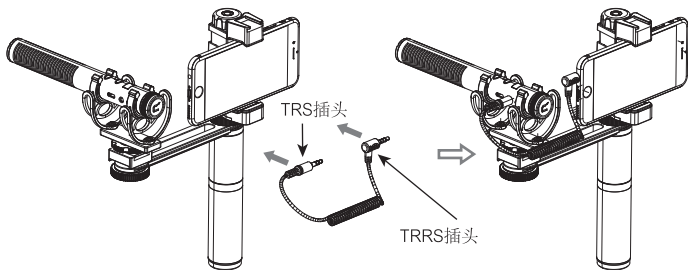
 当用作XLR接口的摄像机时，请单独购买3.5mm TRS-XLR音频连接线即可使用

## 2. 搭配手机安装方法

2.1 参照前面的方法把麦克风主体装到支架上, 再通过冷靴座把支架装到手柄冷靴上 (手柄套装请自行配备)



2.2 通过3.5mm TRS-TRRS音频连接线连接麦克风与手机, 注意TRS插头连接麦克风, TRRS插头连接手机



## 1. 电源键

长按开机或关机, 开机时电源指示灯亮蓝色, 麦克风电量低时电源指示灯亮红灯



## 2. 低切选择开关

短按可进行对应的低切, 共有三档可选, 分别为关闭, 75Hz低切、150Hz低切。当选择75Hz或150Hz低切时, 对应的低切指示灯会亮蓝色



## 3. 电量显示屏

显示麦克风电量



## 4. 增益调节旋钮

旋转可调整麦克风的增益



## 5. USB-C充电插口

使用USB-C插头连接外部电源可给麦克风充电, 支持边充边用以延长麦克风工作时间



## 6. 3.5mm TRS音频输出插口

可插入3.5mm TRS音频连接线进行音频输出



## 技术参数

指向性	超心型
频响	20Hz ~ 20kHz
低切	75Hz/150Hz
灵敏度范围	-43dB ~ -23dB
信噪比	75dB
等效噪声	19dBA
最大声压级	130dB
输出形式	3.5mm TRS
电源供电	锂聚合物 3.7V 300mAh
续航时间	60小时
尺寸	Φ22mm x L 177mm
净重	85g
工作温度	0℃ ~ 50℃
存储温度	-20℃ ~ 60℃





扫二维码关注  
科唛官方公众号



COMICA科唛



COMICA科唛



COMICA科唛



COMICA科唛

邮箱: [support@comica-audio.com](mailto:support@comica-audio.com)

电话: 400-8303-981

网址: [comica-audio.com](http://comica-audio.com)

版权及科唛商标归哇莱科技有限公司所有