


WM300 
UHF Wireless Microphone
User Manual

Specification

Lavalier Transmitter TX

Channels	96 x 2
Group A Wireless Frequency	534.125MHz ~ 557.875MHz
Group B Wireless Frequency	566.125MHz ~ 589.875MHz
Transmitting Power	10dBm / 15dBm

Receiver RX

Channels	96 x 2
Group A Wireless Frequency	534.125MHz ~ 557.875MHz
Group B Wireless Frequency	566.125MHz ~ 589.875MHz
Receiving Sensitivity	<-95dBm







Foreword

Thanks for purchasing COMICA WM300II UHF wireless microphone.

Main Features

- . Dual-channel Wireless Microphone
- . 96 Channels for Multiple Devices Working Together
- . Working Distance Up to 120m (Open Area)
- . M/S Switch, Low Cut, Mute, 16 Levels Volume Adjustment
- . Auto-scanning Channel and IR Sync
- . Adjustable RF Signal Strength
- . Built-in Rechargeable Lithium Battery, USB-C Charging Port
- . Low-consumption, Super-long Standby Time
- . Lattice LCD Screen for Intuitive Operation and Usage
- . Full Metal Manufacturing, Excellent Shielding

Notice

-  Transmitter should be more than 20cm from Receiver, when the distance is less than 20cm, Receiver's wireless signal receiving part will take protect action to shut down the receiving of wireless signal, then audio may be intermittent, which is normal;
-  When using auto IR sync, please stay within one meter, otherwise the signal may be too weak and the sync will not be successful;
-  The antenna will affect the working distance. Please protect the antenna and avoid any man-made damage;
-  When using this product in a short distance, it is recommended to set RF strength at 'LOW' to reduce the power consumption;
-  For smartphone shooting, customers need to purchase a TRS-TRRS audio cable;
-  Do not expose the device in rain or humid environment, otherwise there will be a danger of short circuit;

Package Contents

Main Parts:



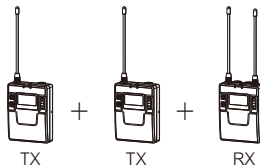
Lavalier Transmitter (TX)



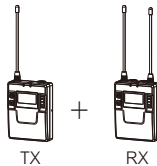
Receiver (RX)

Multiple Selections:

WM300(A) = 2TX + RX

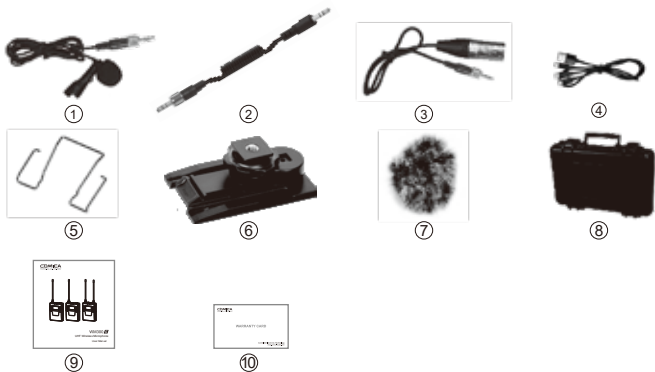



WM300(C) = TX + RX



Accessories:

- ① 3.5mm Mic Audio Input Cable
- ② 3.5mm TRS-TRS Audio Cable
- ③ 3.5mm TRS-XLR Audio Cable
- ④ USB C Charging Cable
- ⑤ Belt Clip
- ⑥ Cold-shoe Mount
- ⑦ Wind Muff
- ⑧ Portable Box
- ⑨ User Manual
- ⑩ Warranty Card

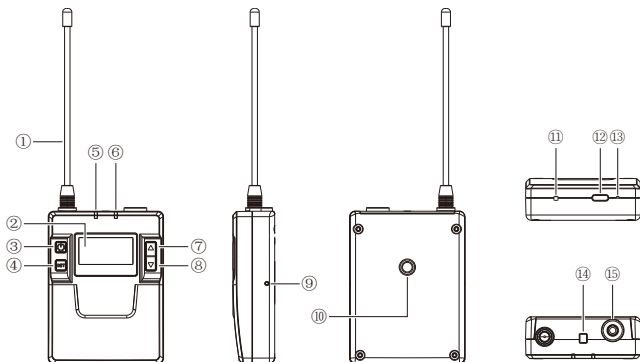


 The accessories of each combination include:

WM300(A)= ①x2 + ②+ ③+ ④+ ⑤x3 + ⑥+ ⑦x2 + ⑧+ ⑨+ ⑩

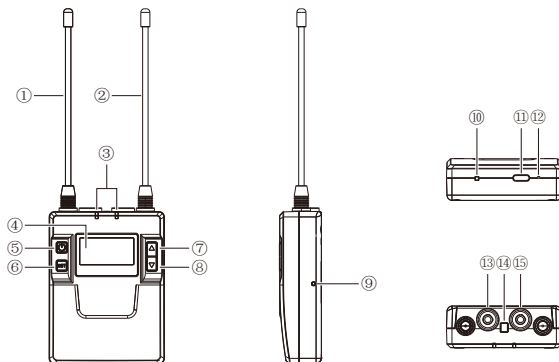
WM300(C)= ①+ ②+ ③+ ④+ ⑤x2 + ⑥+ ⑦+ ⑧+ ⑨+ ⑩

Lavalier Transmitter (TX)



- ① **Antenna**
- ② **LCD Screen**
- ③ **Power/Muting Button:**
Long press for ON/OFF; Short press for mute.
- ④ **SET Function Button:**
Long press to enter the function adjustment menu;
Short press to confirm.
- ⑤ **Audio Status Indicator:**
Blue light keeps on when in normal recording;
Red light keeps on when in muting mode;
Red light flickers when in low power.
- ⑥ **Pairing Status Indicator:**
Red light flickers when in IR sync;
Blue light keeps on after paired.
(No matter the channel paired or not)
- ⑦ **Function Selection Button +:**
Short press to enter the next page.
- ⑧ **Function Selection Button -:**
Short press to return to the previous page.
- ⑨ **Belt Clip Port**
- ⑩ **1/4 Mounting Hole**
- ⑪ **Charging Indicator:**
Red light keeps on when charging;
Blue light keeps on when fully charged.
- ⑫ **USB-C Port**
- ⑬ **Reset Hole**
- ⑭ **IR Sensor**
- ⑮ **MIC / LINE IN Audio Input Port:**
MIC mode is for microphone input;
LINE IN mode is for external audio input,
such as smartphone music player;
Select the corresponding input mode will
bring you better audio effect.

Receiver (RX)

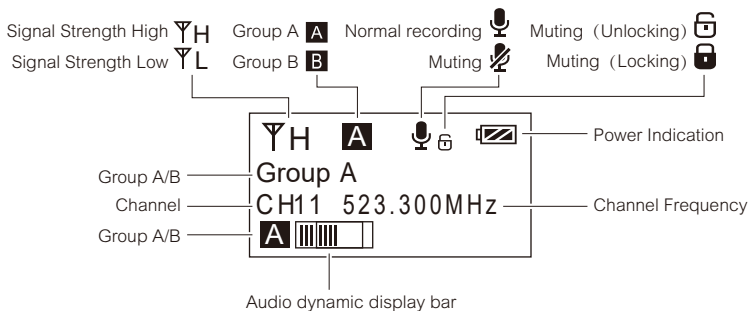


- ① Group A Antenna
- ② Group B Antenna
- ③ Group A/B Working Status Indicator:
Blue light keeps on after successfully paired;
Blue light flickers when pairing fails;
Red light flickers when in IR sync/low power;
Red light keeps on when the group is closed.
- ④ LCD Screen
- ⑤ Power Button:
Long press for ON/OFF
- ⑥ SET Function Button:
Long press to enter the function adjustment menu;
Short press to confirm.
- ⑦ Function Selection Button +:
Short press to enter the next page.
- ⑧ Function Selection Button -:
Short press to return to the previous page.
- ⑨ Belt Clip Port
- ⑩ Charging Indicator:
Red light keeps on when charging;
Blue light keeps on when fully charged.
- ⑪ USB-C Port
- ⑫ Reset Hole
- ⑬ 3.5mm Audio Output Port
- ⑭ IR Sensor
- ⑮ 3.5mm Monitoring Port

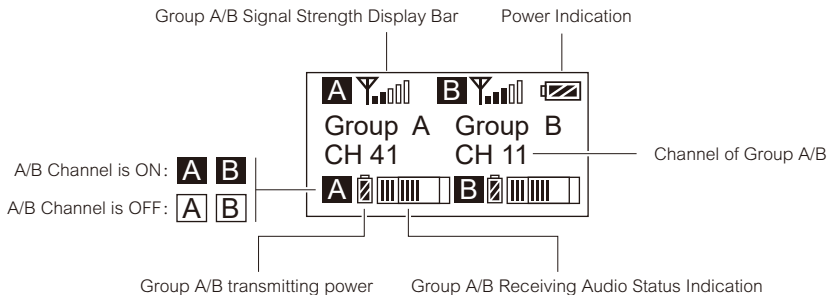
Screen Display and Menu Introduction

Screen Display Instruction

Lavalier Transmitter(TX):



Receiver:



Operation Instruction



1. Transmitting Signal Strength Adjustment



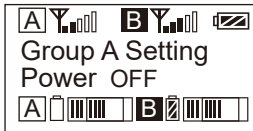
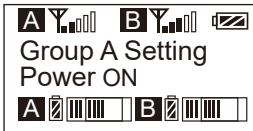
- ☞ High RF Power Mode: With 80-120M working distance, high power consumption and short standby time
Low RF Power Mode: With 30-60M working distance, low power consumption and long standby time





2. Muting Mode On/Off



- ☞ When set to 'Disable', the muting function cannot be used, the icon is: 
When set to 'Enable', the muting function works, the icon is: 
The muting mode can be controlled only when the screen is on, press any button to light the screen and then press the Power/Muting Button to switch the muting mode

3. Group A/B Setting



- ☞ When set to 'Power OFF', the corresponding group is closed, the icon is:  
When set to 'Power ON', the corresponding group is open, the icon is:  
Please set "Power OFF", to save power of the receiver when there is no need for dual-group use

Installation and Usage

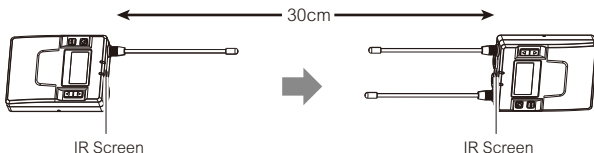
1. Long press the power button for ON, pair the transmitter and receiver

A. Manual Channel-setting Pairing

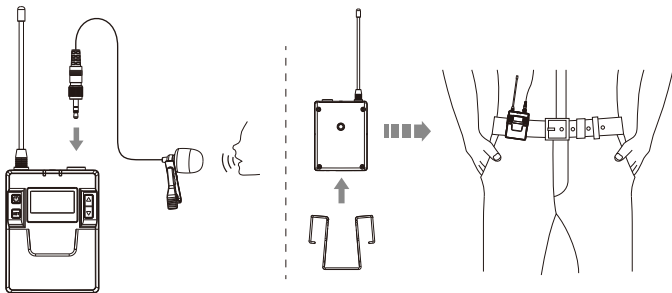
Long press the receiver's SET button to enter "CH" display page and select the desired channel according to personal needs; Select "Sync" and then keep the IR sensor of the transmitter and receiver closely aligned to pair

B. Auto-scanning Pairing

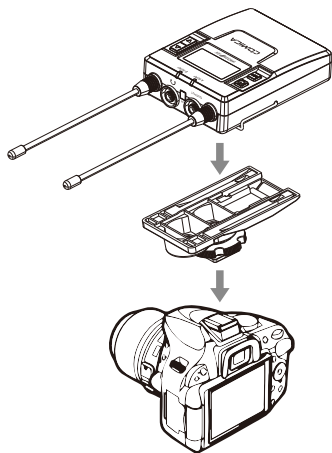
Select receiver's "Auto scan" to get the optimal channel in the current environment; Select "Sync" and then keep the IR sensor of the transmitter and receiver closely aligned to pair



2. Insert the 3.5mm TRS microphone into the MIC port, install the belt clip to the belt clip port and wear it correctly



3. Connect the receiver and devices through the cold shoe mount and 3.5mm TRS-TRS audio cable / 3.5mm TRS-XLR audio cable; Insert the headphone into the 3.5mm monitoring port to monitor



Lavalier Transmitter TX

Antenna	1/4 Wavelength Wire Antenna
Polar Pattern	Omnidirectional
Frequency Response	20Hz ~ 20kHz
Signal / Noise	70dB
Equivalent Noise	24dBA
SPL	100dB
Low Cut	80Hz/160Hz
Dynamic Range	76dB
Sound Delay	<20ms
Audio Distortion	<0.5%
Battery	Polymer Lithium Battery 3.7V 1800mAh
Standby Time	14 Hours
Dimension	84 x 63.5 x 23mm
Net Weight	240g
Working Temperature	0 C ~ 50 C
Storage Temperature	-20 C ~ 60 C

Receiver RX

Antenna	1/4 Wavelength Wire Antenna
Signal / Noise	70dB
Equivalent Noise	24dBA
Sound Delay	<20ms
Audio Distortion	<0.5%
Battery	Polymer Lithium Battery 3.7V 1800mAh
Standby Time	14 Hours
Dimension	84 x 63.5 x 23mm
Net Weight	250g
Working Temperature	0°C ~ 50°C
Storage Temperature	-20°C ~ 60°C



Website: comica-audio.com

Facebook: Comica Audio Tech Global

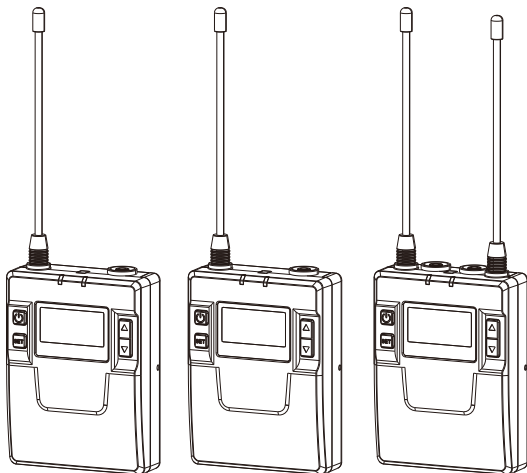
Instagram: Comica Audio

YouTube: Comica Audio

COMICA is a registered trademark owned by Commlite Tech Co.,Ltd

Email: support@comica-audio.com

COMICA
PROFESSIONAL AUDIO EQUIPMENT



WM300 

UHF无线麦克风
用户使用手册

技术规格

领夹发射器 TX

频道数	96 x 2
Group A 载波频率	534.125MHz ~ 557.875MHz
Group B 载波频率	566.125MHz ~ 589.875MHz
发射功率	10dBm/15dBm

接收器 RX

频道数	96 x 2
Group A 载波频率	534.125MHz ~ 557.875MHz
Group B 载波频率	566.125MHz ~ 589.875MHz
接收灵敏度	<-95dBm

前 言

感谢您购买COMICA/科凌 CVM-WM300II UHF无线麦克风

产品主要功能

- UHF双通道无线麦克风, A/B通道可选
- 96频, 可多机位多设备同时使用
- 传输距离高达120米(空旷无干扰环境)
- M/S切换, 低切, 静音, 16级音量可调
- 支持自动扫描/手动调频及红外配对
- 低功耗, 发射功率可调, 超长待机时间
- 内置可充电锂电池, 边充边用
- LCD显示屏, 可视化操作及使用
- 全金属制造, 超强屏蔽性能

注意事项

- ⚠ 正常使用时发射器应距离接收器20cm以上, 当小于20cm时, 接收器的无线信号接收部分将会进行保护动作, 从而关闭无线信号接收, 音频可能出现间断, 此为正常现象;
- ⚠ 进行红外对码时, 请保持在1M 距离之内, 否则可能会导致通讯过弱、对码不成功;
- ⚠ 天线会影响工作距离, 请保护好天线并勿进行人为损坏;
- ⚠ 近距离使用该产品时, 建议将此产品RF强度设置为“LOW”, 可降低功耗增强续航;
- ⚠ 用于手机拍摄时, 客户须单独购买TRS-TRRS 音频转换线;
- ⚠ 不要在雨中或潮湿环境中使用该设备, 否则会有短路的危险;

主体:



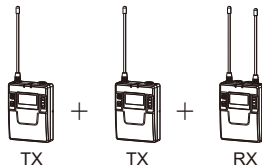
领夹发射器 (TX)



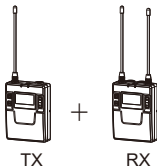
接收器 (RX)

搭配选择:

WM300II(A) = 2TX + RX



WM300II(C) = TX + RX



配件:

- ① 3.5mm 麦克风输入线
- ② 3.5mm TRS-TRS 音频连接线
- ③ 3.5mm TRS-XLR 音频连接线
- ④ USB-C 充电线
- ⑤ 腰带夹
- ⑥ 热靴快装板
- ⑦ 防风毛
- ⑧ 便携箱
- ⑨ 说明书
- ⑩ 保修卡



①



②



③



④



⑤



⑥



⑦



⑧



⑨



⑩

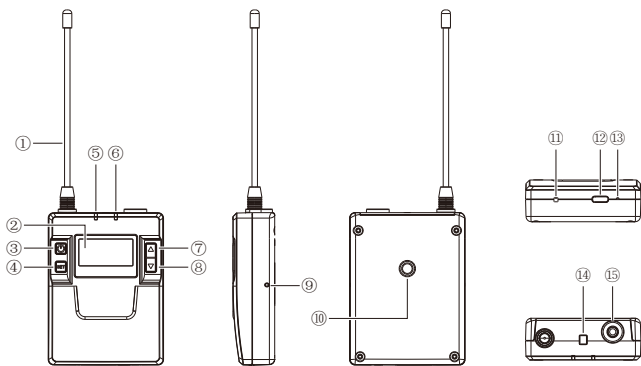


每一个型号的配件包括:

WM300 (A) = ①x2 + ②+ ③+ ④+ ⑤x3 + ⑥+ ⑦x2 + ⑧+ ⑨+ ⑩

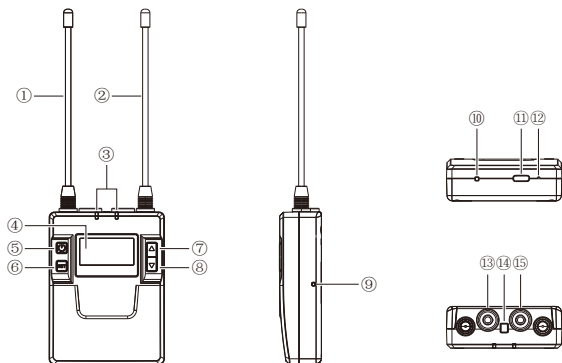
WM300 (C) = ①+ ②+ ③+ ④+ ⑤x2 + ⑥+ ⑦+ ⑧+ ⑨+ ⑩

领夹发射器



- ① **天线**
- ② **液晶显示屏**
- ③ **开关/静音按键：**
长按开机/关机；短按切换静音。
- ④ **SET功能菜单选项：**
长按进入功能菜单调节；短按确定。
- ⑤ **音频状态指示灯：**
正常拾音时蓝灯长亮；
静音时红灯长亮；
低电量时红灯闪烁。
- ⑥ **对码状态指示灯：**
红外对码时红灯闪烁；
配对后蓝灯长亮(无论是否配对成功)。
- ⑦ **功能调节按键+：**
短按进入下一级。
- ⑧ **功能调节按键-：**
短按返回上一级。
- ⑨ **腰夹带插口**
- ⑩ **1/4 固定孔**
- ⑪ **充电状态指示灯：**
充电时红灯长亮；
充满电时蓝灯长亮。
- ⑫ **USB-C充电插口**
- ⑬ **复位孔**
- ⑭ **红外窗口**
- ⑮ **MIC / LINE IN 音频输入接口：**
MIC模式下麦克风音源输入；
LINE IN模式下外部音源输入，比如手机音乐播放等；
选择对应的输入模式会有更好的音频效果。

接收器



① A通道天线

② B通道天线

③ A/B通道工作状态指示灯:

配对成功后, 蓝灯长亮;
配对不成功, 蓝灯闪烁;
红外对码/低电量时, 红灯闪烁;
通道关闭时, 红灯长亮。

④ 液晶显示屏

⑤ 开/关按键:

长按开机/关机。

⑥ SET功能菜单选项:

长按进入功能菜单调节; 短按确定。

⑦ 功能调节按键+:

短按进入下一级。

⑧ 功能调节按键-:

短按返回上一级。

⑨ 腰夹带插口

⑩ 充电状态指示灯:

充电时红灯长亮;
充满电时蓝灯长亮。

⑪ USB-C充电插口

⑫ 复位孔

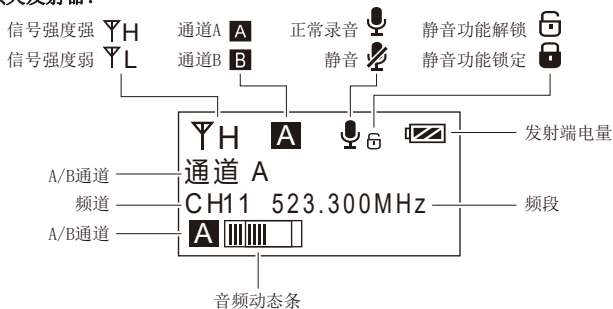
⑬ 3.5mm 音频输出接口

⑭ 红外窗口

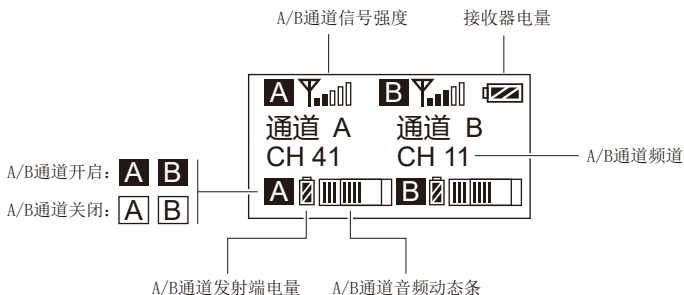
⑮ 3.5mm 监听接口

屏幕显示

领夹发射器:



接收器:



菜单介绍



1. 发射功率调节



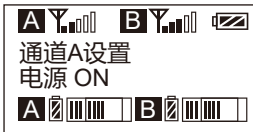
- ☞ 功率强度高时，无线工作距离较远，功耗较高，续航时间短；
功率强度低时，无线工作距离较近，功耗较低，续航时间长。





2. 静音锁定



- ☞ 设置为“锁定”后静音功能不能使用，图标显示：
- 设置为“解锁”后静音功能开启，图标显示：
- 静音必须在屏幕亮显时才可操控，按下任何按键使屏幕亮显，再短按开机/静音按键切换静音模式。

3. 通道A/B设置



- ☞ 设置为“电源OFF”后，相对应通道关闭，图标显示： 
- 设置为“电源ON”后，相对应通道开启，图标显示： 
- 当无双通道使用需求时，可选择性关闭通道，节省接收器的电量。

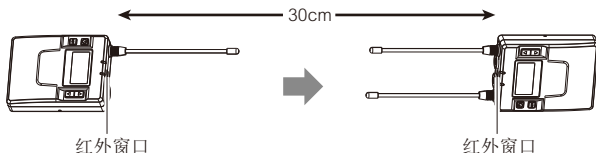
1. 长按电源按键开机，根据个人需求将TX和RX进行手动/自动配对

A. 手动调频配对

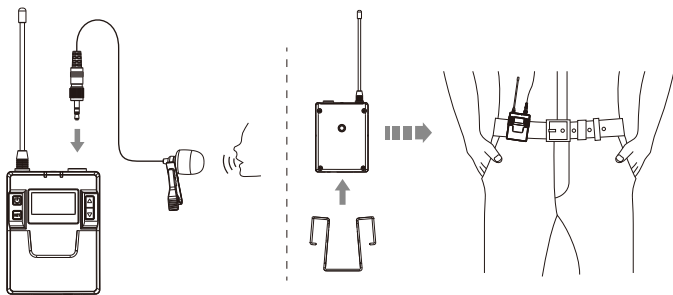
长按接收器的SET键进入通道CH调节状态，根据个人需求调节到相应频道；选择“同步发射器”后，将接收器对准发射器的红外窗口进行配对

B. 自动扫描配对

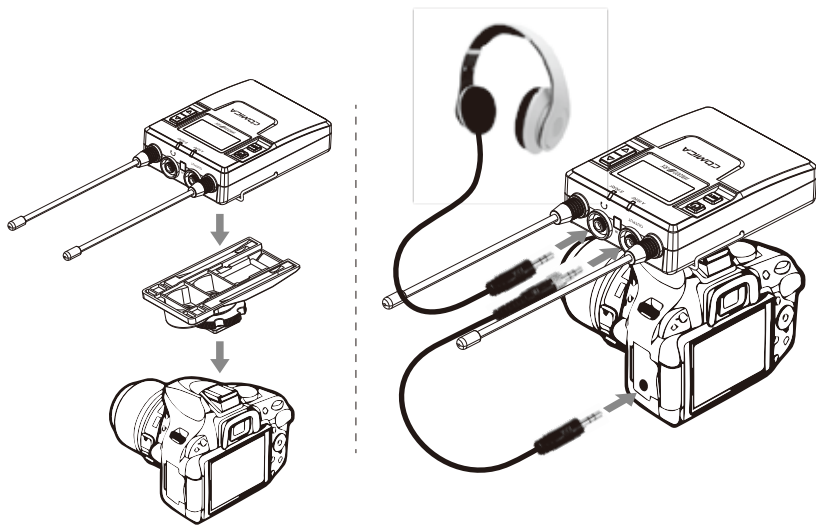
在接收器上选择“自动扫描”，自动选择当下环境最优频道；选择“同步发射器”，将接收器对准发射器的红外窗口进行配对



2. 把3.5mm TRS麦克风输入线插入MIC插口，把腰带夹安装到腰带夹插口正确佩戴即可



3. 通过冷靴快装板和3.5mmTRS-TRS音频连接线/3.5mm TRS-XLR音频连接线连接接收器与摄影摄像设备；把耳机插入3.5mm耳机监听口进行实时监听



领夹发射器 TX

天线	1/4 波长导线天线
麦克风指向性	全指向
麦克风频率响应	20Hz ~ 20kHz
系统信噪比	70dB
系统等效噪声	24dBA
声压级	100dB
动态范围	76dB
低切	80Hz / 160Hz
声音延迟	<20ms
音频失真	<0.5%
电池	聚合物锂电池 3.7V 1800mAh
续航时间	14小时
尺寸	84 x 63.5 x 23mm
净重	240g
工作温度	0°C ~ 50 °C
存储温度	-20 °C ~ 60 °C

接收器 RX

天线	1/4 波长导线天线
系统信噪比	70dB
系统等效噪声	24dBA
声音延迟	<20ms
音频失真	<0.5%
电池	聚合物锂电池 3.7V 1800mAh
续航时间	14小时
尺寸	84 x 63.5 x 23mm
净重	250g
工作温度	0℃ ~ 50 ℃
存储温度	-20 ℃ ~ 60 ℃



扫二维码关注
科唛官方公众号



COMICA科唛



COMICA科唛



COMICA科唛



COMICA科唛

邮箱: support@comica-audio.com

电话: 400-8303-981

网址: comica-audio.com

版权及科唛商标归咔莱科技有限公司所有