




WM200 
UHF Wireless Microphone
User Manual

Foreword

Thanks for purchasing Comica WM200II

Main Features

- Dual-channel Wireless Microphone, One Touch to Switch A/B/A+B Group
- 96 Channels for Multiple Devices Working Together
- 180° Rotatable Antenna, Working Distance Up to 120m(Open Area)
- Support Auto-scanning/Manual Channel-setting and Infrared Pairing
- M/S Switch, Low Cut, Mute, 16-level Volume Adjustment, etc.
- Low-consumption, Adjustable RF Signal Strength, Super-long Standby Time
- Support USB-C Interface/AA Battery for External Power Supply
- LCD Screen for Intuitive Operation and Usage
- Full Metal Manufacturing, Excellent Shielding

Notice

- ⚠ Transmitter should be placed at a distance more than 10cm from Receiver. When the distance is less than 10cm, Receiver's wireless signal receiving part will take protect action to shut down the receiving wireless signal, then audio may be intermittent, which is normal
- ⚠ When using auto IR sync, please stay within 30cm, otherwise the signal may be too weak and the sync will not be successful
- ⚠ In the case of stereo/mono mode switch, please preset the mode before using to avoid the transient interference caused by switching during usage
- ⚠ When it needs to be used for a long time, it can be connected to the external power to realize charging while using. AC/DC power is not supported to avoid noise problem
- ⚠ The antenna will affect the working distance. Please protect the antenna and avoid any man-made damage
- ⚠ The working distance will be affected by the surrounding environment. Please try to keep the environment open without interference during usage
- ⚠ When using this product in a short distance, it is recommended to set RF strength at 'LOW' to reduce the power consumption
- ⚠ For smartphone shooting, customers need to purchase a 3.5mm TRS-TRRS audio cable (It does not support the original recording system of some android systems, the third-party APP is recommended to be used in this case)
- ⚠ Please keep this product in dry environment
- ⚠ Do not expose the device in rain or humid environment, otherwise there will be a danger of short circuit

FCC statement

This device complies with Part 15 of the FCC rules. Operation is subject to the following two conditions: 1) this device may not cause harmful interference, and 2) this device must accept any interference received, including interference that may cause undesired operation.

Note: This equipment has been tested and found to comply with the limits for a Class B digital device, pursuant to part 15 of the FCC Rules. These limits are designed to provide reasonable protection against harmful interference in a residential installation. This equipment generates uses and can radiate radio frequency energy and, if not installed and used in accordance with the instructions, may cause harmful interference to radio communications. However, there is no guarantee that interference will not occur in particular installation. If this equipment does cause harmful interference to radio or television reception, which can be determined by turning the equipment off and on, the user is encouraged to try to correct the interference by one or more of the following measures:

- Reorient or relocate the receiving antenna.
- Increase the separation between the equipment and receiver.
- Connect the equipment into an outlet on a circuit different from that to which the receiver is connected.
- Consult the dealer or an experienced radio/TV technician for help.

Changes or modifications not expressly approved by the party responsible for compliance could void the user's authority to operate the equipment.

FCC Radiation Exposure Statement

This device complies with FCC RF radiation exposure limits set forth for an uncontrolled environment. This transmitter must not be co-located or operating in conjunction with any other antenna or transmitter.

Packing List

Main Part:



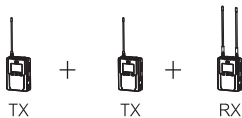
Lavalier Transmitter (TX)



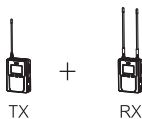
Receiver (RX)

Multiple Selections:

WM200II (A) = 2TX + RX

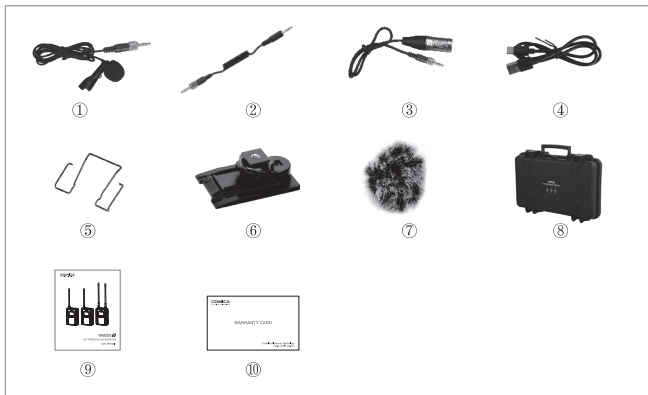


WM200II (C) = TX + RX



Accessories:

- ① 3.5mm Mic Audio Input Cable
- ② 3.5mm TRS-TRS Audio Cable
- ③ 3.5mm TRS-XLR Audio Cable
- ④ USB C Charging Cable
- ⑤ Belt Clip
- ⑥ Cold Shoe Mount
- ⑦ Wind Muff
- ⑧ Portable Box
- ⑨ User Manual
- ⑩ Warranty Card



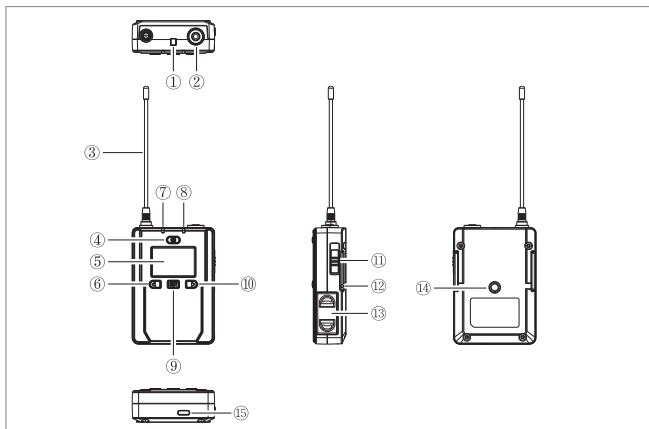
The accessories of each combination include:

WM200II (A) = ①x2 + ② + ③ + ④ + ⑤x3 + ⑥ + ⑦ x2 + ⑧ + ⑨ + ⑩

WM200II (C) = ① + ② + ③ + ④ + ⑤x2 + ⑥ + ⑦ + ⑧ + ⑨ + ⑩

Components and Instruction

Lavalier Transmitter (TX):



① IR Sensor

② MIC / LINE IN Audio Input Port:

MIC mode is for microphone input;
LINE IN mode is for external audio input,
such as smartphone music player;
Select the corresponding input mode will
bring you better audio effect

③ Antenna

④ Power/Muting Button:

Long press for ON/OFF; Short press for mute

⑤ LCD Screen

⑥ Function Selection Button -:

Short press to return to the previous page

⑦ Audio Status Indicator:

Blue light keeps on when in normal recording;
Red light keeps on when in muting mode;
Red light flickers when in low power

⑧ Pairing Status Indicator:

Red light flickers when in IR sync;
Blue light keeps on after paired
(No matter the channel paired or not)

⑨ SET Function Menu Button:

Long press to enter the function adjustment menu;
Short press to confirm

⑩ Function Selection Button +:

Short press to enter the next page

⑪ Group Switch Button

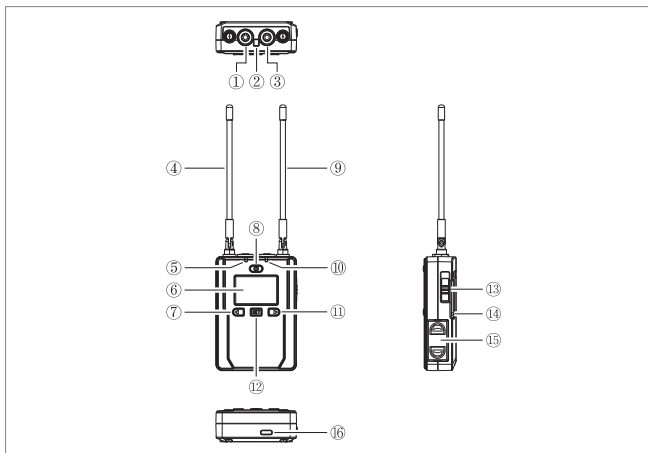
⑫ Belt Clip Port

⑬ Battery Tray

⑭ 1/4 Threaded Hole

⑮ USB-C Port

Receiver (RX) :



① 3.5mm Audio Output Port

② IR Sensor

③ 3.5mm Monitoring Port

④ Group A Antenna

⑤ Group A Working Status Indicator:

Blue light keeps on after successfully paired;

Blue light flickers when pairing fails;

Red light flickers when in IR sync/low power;

Red light keeps on when the group is closed

⑥ LCD Screen

⑦ Function Selection Button -:

Short press to return to the previous page

⑧ Power Button:

Long press for ON/OFF

⑨ Group B Antenna

⑩ Group B Working Status Indicator

⑪ Function Selection Button +:

Short press to enter the next page

⑫ SET Function Menu Button:

Long press to enter the function adjustment menu;

Short press to confirm

⑬ Group Switch Button

⑭ Belt Clip Port

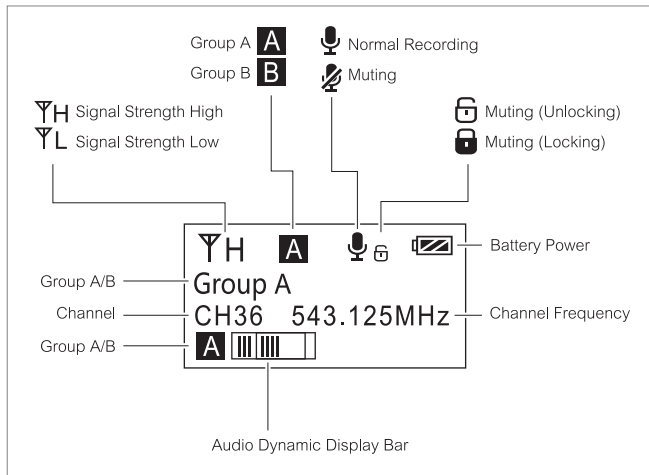
⑮ Battery Tray

⑯ USB-C Port

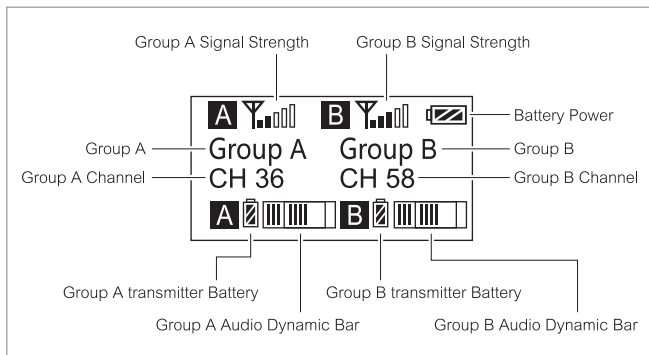
Screen Display and Menu Introduction

Screen Display Instruction

Lavalier Transmitter(TX):



Receiver(RX):



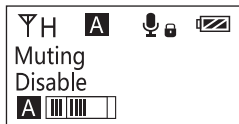
Menu Introduction



1. Transmitting Signal Strength Adjustment



- ☞ High RF Power Mode: With 80-120M working distance, high power consumption and short standby time
Low RF Power Mode: With 30-60M working distance, low power consumption and long standby time

2. Muting Mode On/Off

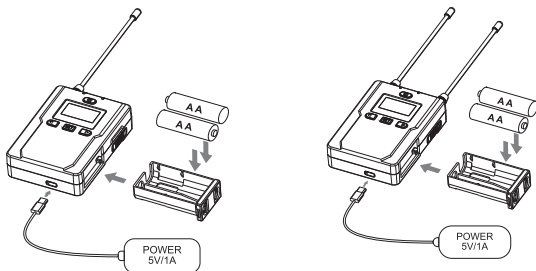


- ☞ When set to 'Disable', the muting function cannot be used, the icon is: 
When set to 'Enable', the muting function works, the icon is: 
The muting mode can be controlled only when the screen is on, press any button to light the screen and then press the Power/Muting Button to switch the muting mode

Installation and Usage

1. Install two AA batteries into the battery tray according to the positive and negative electrode. It supports external power supplying through USB-C Plug

☞ When it needs to be used for a long time, it can be connected to the external power to realize charging while using. AC/DC power is not supported to avoid noise problem



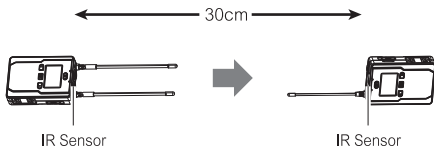
2. Long press the power button for ON, pair the transmitter and receiver

A. Manual Channel-setting Pairing

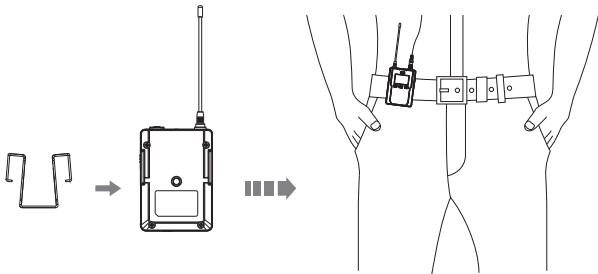
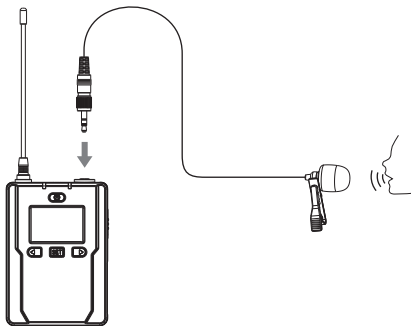
Long press the receiver's SET button to enter "CH" display page and select the desired channel according to personal needs; Select "Sync" and then keep the IR sensor of the transmitter and receiver closely aligned to pair

B. Auto-scanning Pairing

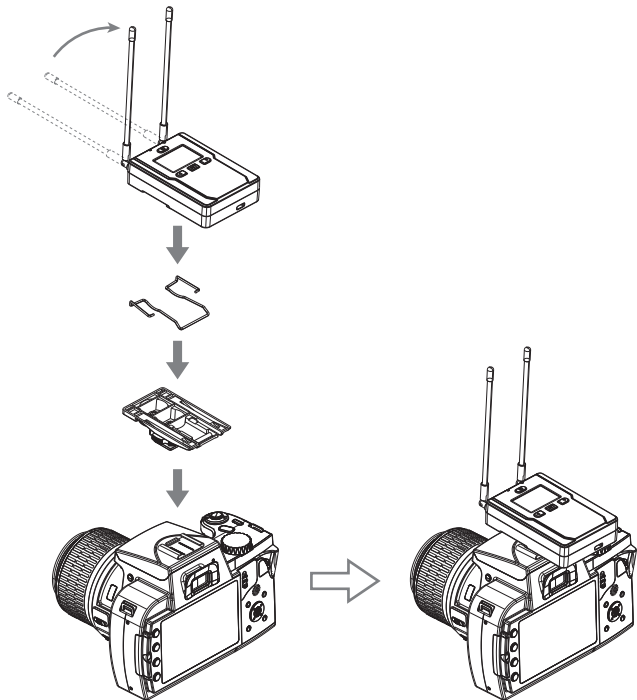
Select receiver's "Auto scan" to get the optimal channel in the current environment; Select "Sync" and then keep the IR sensor of the transmitter and receiver closely aligned to pair

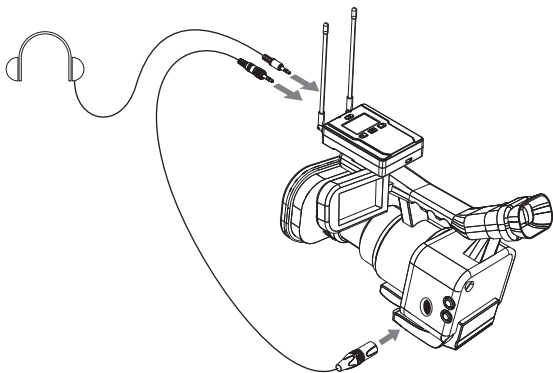
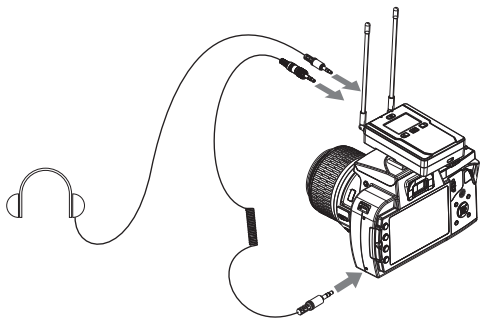


3. Insert the 3.5mm TRS microphone into the MIC port, install the belt clip to the belt clip port and wear it correctly



4. Connect the receiver and devices through the cold shoe mount and 3.5mm TRS-TRS audio cable / 3.5mm TRS-XLR audio cable; Adjust the antenna angle of the receiver according to your needs (90° is the best angle for signal transmission); Insert the headphone into the 3.5mm monitoring port to monitor





Specifications

Lavalier Transmitter (TX)

Group A Wireless Frequency	534.125MHz ~ 557.875MHz
Group B Wireless Frequency	566.125MHz ~ 589.875MHz
Transmit Power	15dBm/10dBm
Antenna	1/4 Wavelength Wire Antenna
Signal/Noise	70dB
Equivalent Noise	24dBA
Sound Pressure Level	100dB
Low Cut	80Hz / 160Hz
Sound Delay	<20ms
Audio Distortion	<0.5%
Power Consumption	550mW in High RF Mode 370mW in Low RF Mode
Battery	AA Batteries x 2pcs
Dimension	84 x 63.5 x 23mm
Weight	125g
Operating Temperature	0 °C ~ 50 °C
Storage Temperature	-20 °C ~ 60 °C

Receiver (RX)

Group A Wireless Frequency	534.125MHz ~ 557.875MHz
Group B Wireless Frequency	566.125MHz ~ 589.875MHz
Receiving Sensitivity	<-93dBm
Antenna	1/4 Wavelength Wire Antenna
Signal/Noise	70dB
Equivalent Noise	24dBA
Sound Delay	<20ms
Audio Distortion	<0.5%
Power Consumption	580mW in Dual-channel Mode 360mW in Single Channel Mode
Battery	AA Batteries x 2pcs
Dimension	84 x 63.5 x 23mm
Weight	145g
Operating Temperature	0 C ~ 50 C
Storage Temperature	-20 C ~ 60 C



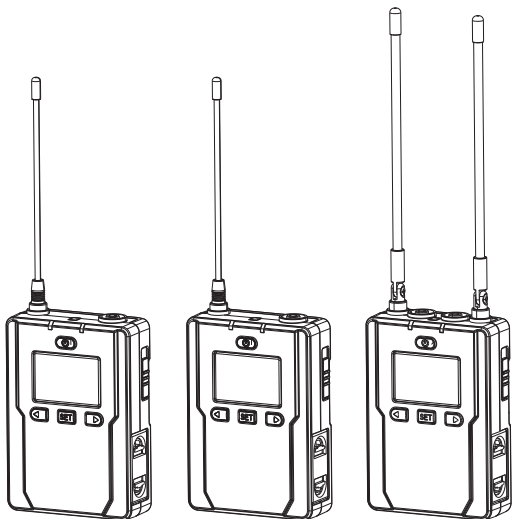
Website: comica-audio.com

Facebook: Comica Audio Tech Global

Instagram: Comica Audio

YouTube: Comica Audio

COMICA is a registered trademark owned by Commlite Tech Co.,Ltd
Email: support@comica-audio.com



WM200 **II**

UHF无线麦克风

产品使用说明书

前言

感谢您购买COMICA/科凌 WM200II

产品主要功能

- UHF双通道无线麦克风，一键切换A/B/A+B通道
- 96频，可多机位多设备同时使用
- 180°可旋转天线，传输距离高达120m（空旷环境）
- 支持自动扫描/手动调频及红外配对
- M/S切换、低切、16级音量、静音等多功能
- 低功耗，发射功率可调，超长待机时间
- 支持USB-C接口外部电源供电，可更换AA电池
- LCD显示屏，可视化操作及使用
- 全金属制造，超强屏蔽性能

注意事项

- △ 正常使用时发射器应距离接收器10cm以上，当小于10cm时，接收器的无线信号接收部分将会进行保护动作，从而关闭无线信号接收，音频可能出现间断，此为正常现象
- △ 进行红外对码时，请保持在30cm 距离之内，否则可能会导致通讯过弱、对码不成功
- △ 进行立体声/单声道切换时，请在使用前提前设置好，避免在使用过程中切换带来的短暂电流干扰
- △ 当需要长时间使用时，可连接外部移动电源实现边充边用；不支持AC/DC电源供电，否则会产生噪音
- △ 天线会影响工作距离，请保护好天线切勿进行人为损坏
- △ 工作距离会受到周围环境的影响，使用过程中请尽量保持环境空旷无干扰，特别要避开附近的对讲机
- △ 近距离使用该产品时，建议将此产品RF强度设置为“LOW”，可降低功耗增加续航时间
- △ 用于手机拍摄时，请您自行购买3.5mm TRS-TRRS音频连接线
(不支持部分安卓系统的原生态录音系统，建议此时于第三方APP模式下使用)
- △ 请在干燥环境中对该产品进行储存
- △ 不要在雨中或潮湿环境中使用该设备，否则会有短路的危险

包装清单

主体:



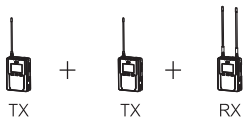
领夹发射器 (TX)



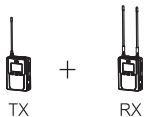
接收器 (RX)

搭配选择:

WM200II (A) = 2TX + RX

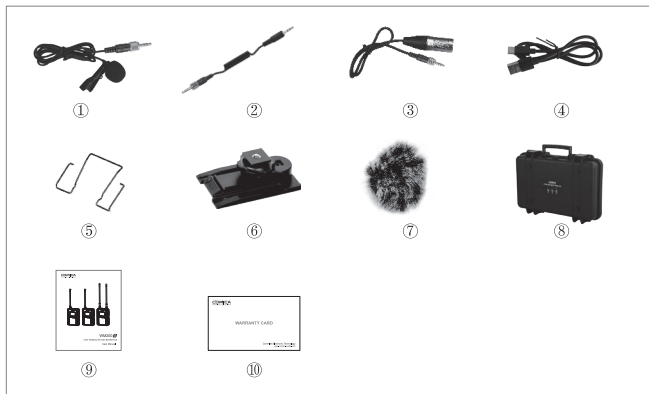


WM200II (C) = TX + RX



配件:

- ① 3.5mm TRS麦克风输入线
- ② 3.5mm TRS-TRS音频连接线
- ③ 3.5mm TRS-XLR音频连接线
- ④ USB-C充电线
- ⑤ 腰带夹
- ⑥ 冷靴快装板
- ⑦ 防风毛
- ⑧ 便携箱
- ⑨ 说明书
- ⑩ 保修卡



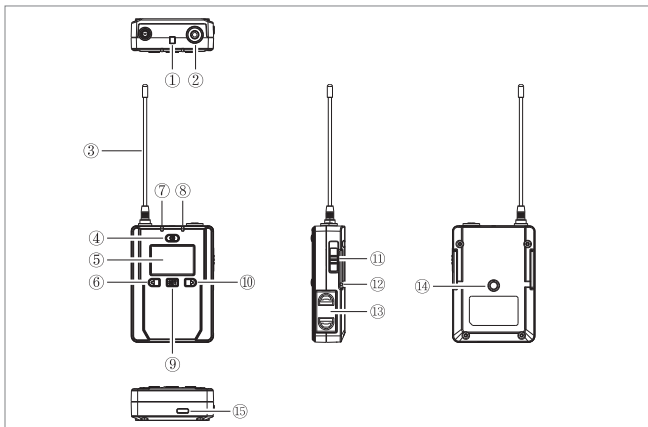
每个搭配选择包含配件如下:

WM200II (A) = ①x2 + ② + ③ + ④ + ⑤x3 + ⑥ + ⑦ x2 + ⑧ + ⑨ + ⑩

WM200II (C) = ① + ② + ③ + ④ + ⑤x2 + ⑥ + ⑦ + ⑧ + ⑨ + ⑩

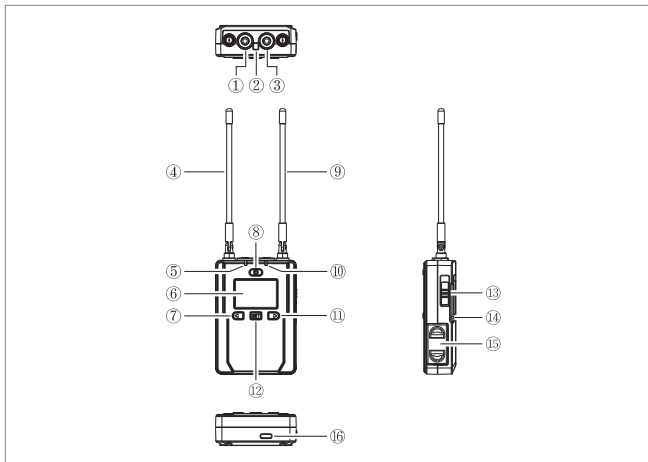
部件介绍及说明

领夹发射器：



- ① 红外窗口
- ② MIC / LINE IN 音频输入接口：
MIC模式下麦克风音源输入；
LINE IN模式下外部音源输入，比如手机
音乐播放等；
选择对应的输入模式会有更好的音频效果
- ③ 天线
- ④ 开关/静音按键：
长按开机/关机；
短按切换静音
- ⑤ 液晶显示屏
- ⑥ 功能调节按键-：
短按返回上一级
- ⑦ 音频状态指示灯：
正常拾音时蓝灯长亮；
静音时红灯长亮；
低电量时红灯闪烁
- ⑧ 对码状态指示灯：
红外对码时红灯闪烁；
配对后蓝灯长亮（无论是否配对成功）
- ⑨ SET功能菜单选项：
长按进入功能菜单调节；
短按确定
- ⑩ 功能调节按键+：
短按进入下一级
- ⑪ 通道选择开关
- ⑫ 腰带夹插孔
- ⑬ 电池仓
- ⑭ 1/4螺纹口
- ⑮ USB-C供电插口

接收器:



① 3.5mm 音频输出接口

② 红外窗口

③ 3.5mm 监听接口

④ A通道天线

⑤ A通道工作状态指示灯:

配对成功后, 蓝灯长亮;

配对不成功, 蓝灯闪烁;

红外对码/低电量时, 红灯闪烁;

通道关闭时, 红灯长亮

⑥ 液晶显示屏

⑦ 功能调节按键-:

短按返回上一级

⑧ 开/关按键:

长按开机/关机

⑨ B通道天线

⑩ B通道工作状态指示灯

⑪ 功能调节按键+:

短按进入下一级

⑫ SET功能菜单选项:

长按进入功能菜单调节;

短按确定

⑬ 通道选择开关

⑭ 腰带夹插孔

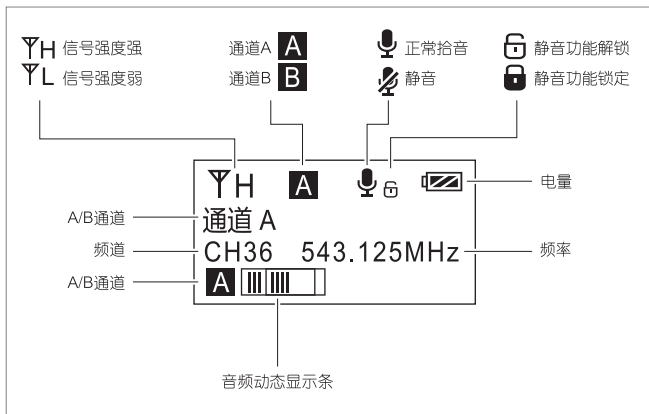
⑮ 电池仓

⑯ USB-C供电插口

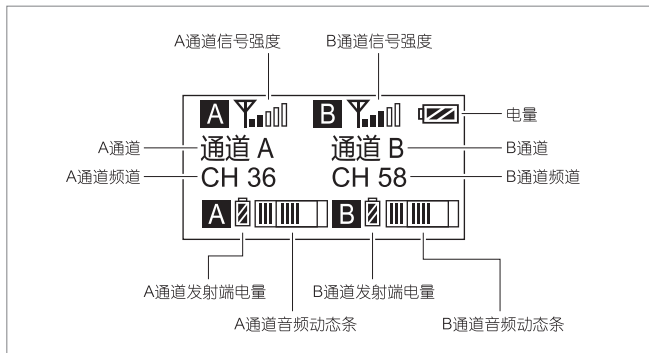
屏幕显示与菜单介绍：

屏幕显示

领夹发射器：



接收器:



菜单介绍



1. 发射功率调节



- ☞ 功率强度高时，无线工作距离较远，功耗较高，续航时间短；
功率强度低时，无线工作距离较近，功耗较低，续航时间长

2. 静音锁定

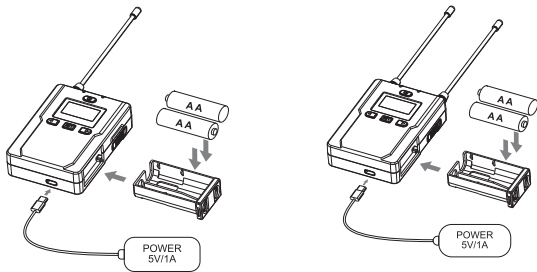


- ☞ 设置为“锁定”后静音功能不能使用，图标显示：
- 设置为“解锁”后静音功能开启，图标显示：
- 静音必须在屏幕亮显时才可操控，按下任何按键使屏幕亮显，再短按开机/静音按键切换静音模式

安装与使用方法

1. 将电池按照正负极指示装入电池仓，可使用外部电源供电，通过USB-C充电线将电源与设备连接即可

☞ 当需要长时间使用时，可连接外部移动电源实现边充边用；不支持AC/DC电源供电，否则会产生噪音



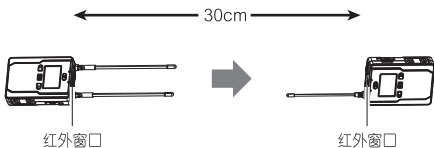
2. 长按电源按键开机，根据个人需求将TX和RX进行手动/自动配对

A. 手动调频配对

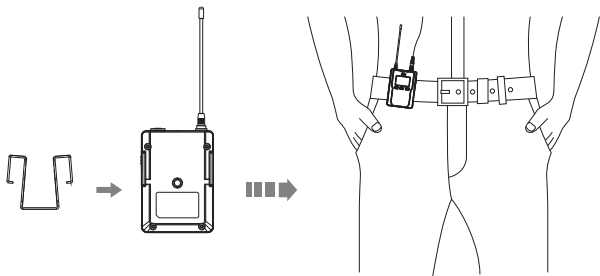
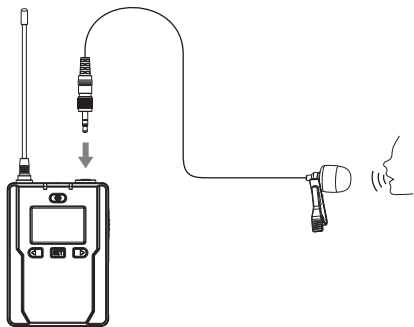
长按接收器的SET键进入通道CH调节状态，根据个人需求调节到相应频道；选择“同步发射器”后，将接收器对准发射器的红外窗口进行配对

B. 自动扫描配对

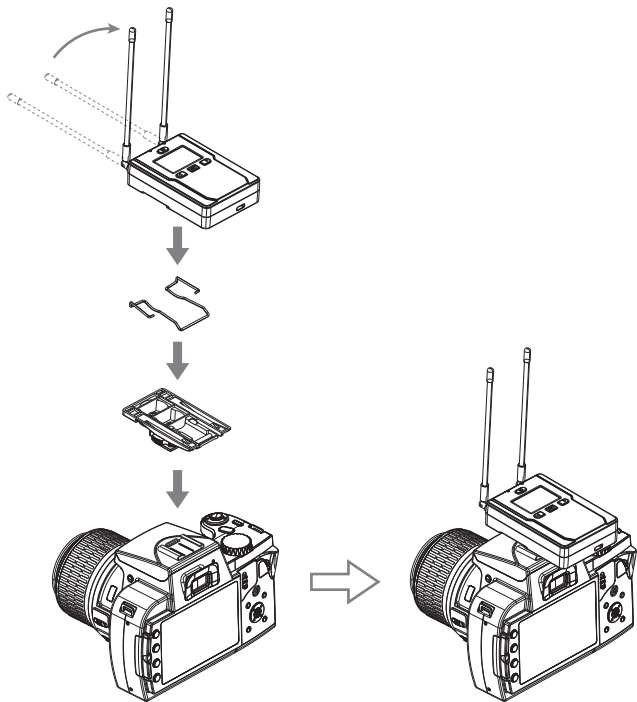
在接收器上选择“自动扫描”，自动选择当下环境最优频道；选择“同步发射器”，将接收器对准发射器的红外窗口进行配对

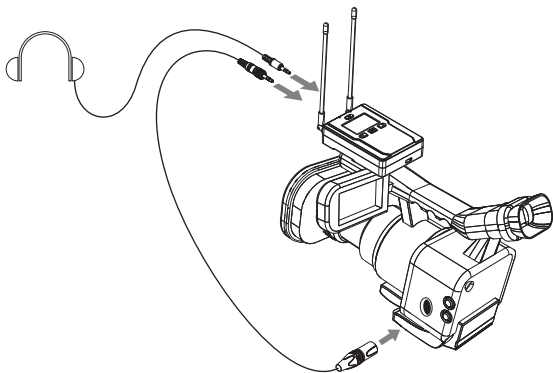
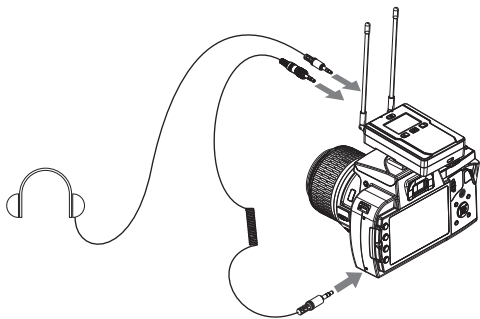


3.把3.5mm TRS麦克风输入线插入MIC插口，把腰带夹安装到腰带夹插口正确佩戴即可



4.通过冷靴快装板和3.5mmTRS-TRS音频连接线/3.5mm TRS-XLR音频连接线连接接收器与摄影摄像设备；根据个人需求，调节接收器的天线角度（90° 为信号传输最佳角度）；把耳机插入3.5mm耳机监听口进行实时监听





技术规格

领夹发射器 TX

Group A 载波频率	534.125MHz ~ 557.875MHz
Group B 载波频率	566.125MHz ~ 589.875MHz
发射功率	15dBm/10dBm
天线	1/4 波长导线天线
系统信噪比	70dB
系统等效噪声	24dBA
声压级	100dB
低切	80Hz / 160Hz
声音延迟	<20ms
音频失真	<0.5%
功耗	高发射功率模式: 550mW 低发射功率模式: 370mW
电池	两节 AA 电池
尺寸	84 x 63.5 x 23mm
净重	125g
工作温度	0℃ ~ 50℃
存储温度	-20℃ ~ 60℃

接收器 RX

Group A 载波频率	534.125MHz ~ 557.875MHz
Group B 载波频率	566.125MHz ~ 589.875MHz
接收灵敏度	<-93dBm
天线	1/4 波长导线天线
系统信噪比	70dB
系统等效噪声	24dBA
声音延迟	<20ms
音频失真	<0.5%
功耗	双通道模式: 580mW 单通道模式: 360mW
电池	两节 AA 电池
尺寸	84 x 63.5 x 23mm
净重	145g
工作温度	0℃ ~ 50℃
存储温度	-20℃ ~ 60℃



扫二维码关注
科唛官方公众号



COMICA科唛



COMICA科唛



COMICA科唛



COMICA科唛

邮箱: support@comica-audio.com

电话: 400-8303-981

网址: comica-audio.com

版权及科唛商标归味莱科技有限公司所有