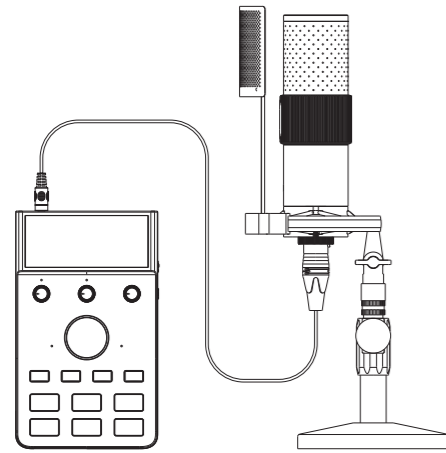
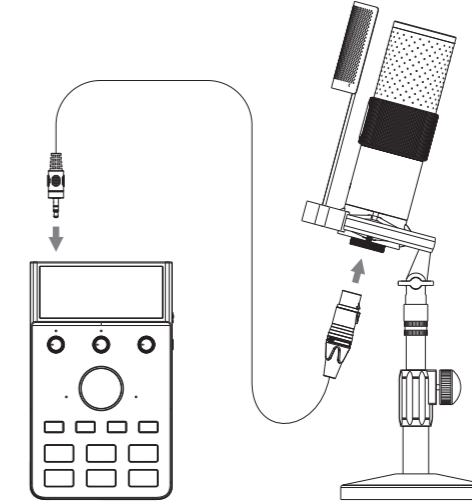
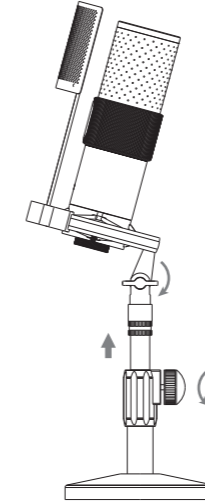
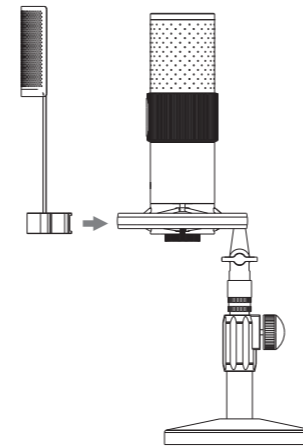
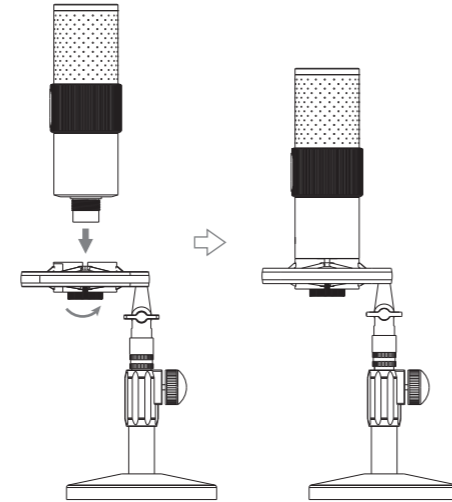
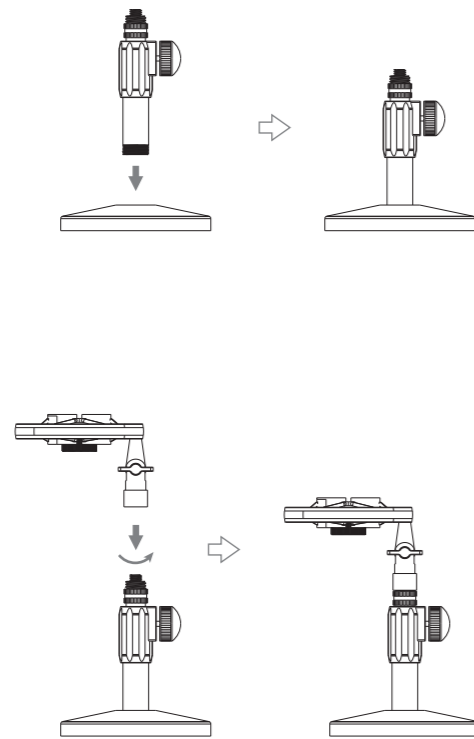


COMICA
PROFESSIONAL AUDIO EQUIPMENT



ADcaster C1-K1

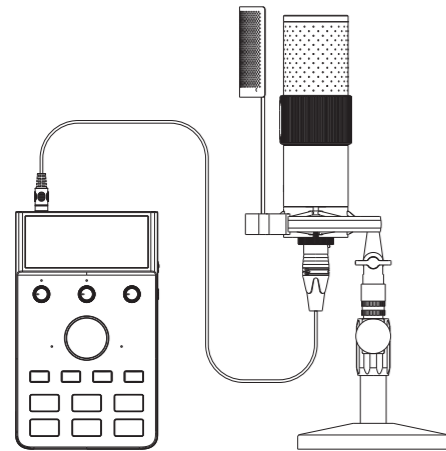
User Guide



Website: comica-audio.com
Facebook: Comica Audio Tech Global
Instagram: Comica Audio
YouTube: Comica Audio

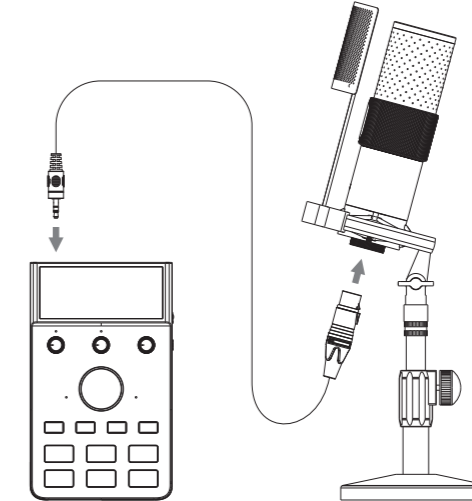
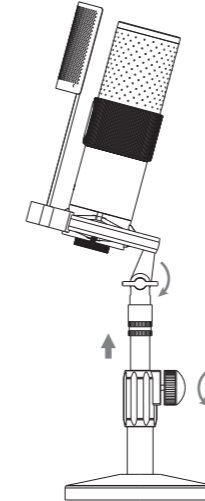
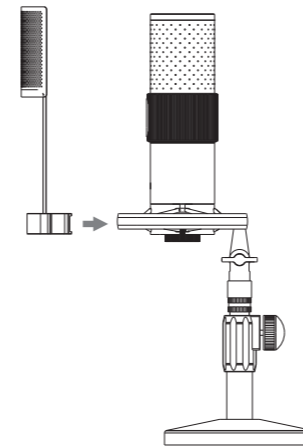
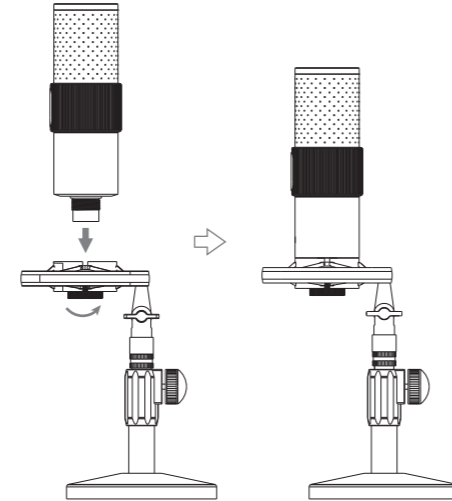
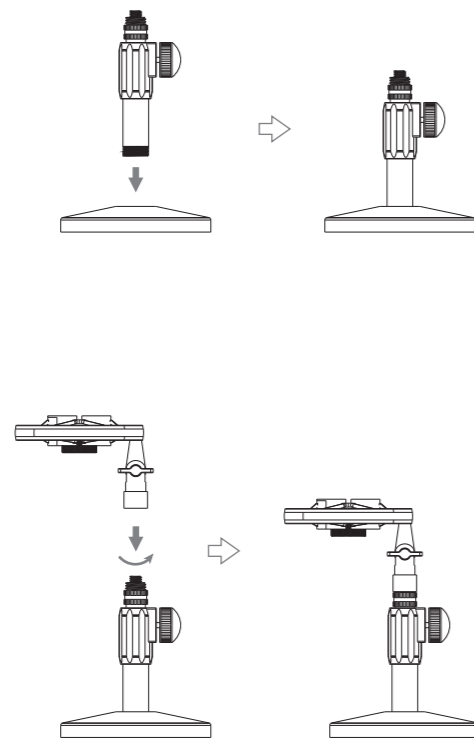
The COMICA LOGO is a trademark which is registered and owned by ComiTe Technology Co.,Ltd
Email: support@comica-audio.com

COMICA 科
PROFESSIONAL AUDIO EQUIPMENT 峻



ADcaster C1-K1

安装指南



扫二维码关注
科峻官方公众号

COMICA科峻
COMICA科峻
COMICA科峻
COMICA科峻

邮箱: support@comica-audio.com
电话: 400-8303-981
网址: comica-audio.com
版权及科峻商标归科峻科技有限公司所有