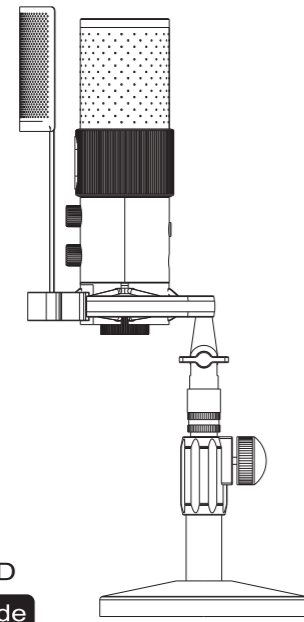
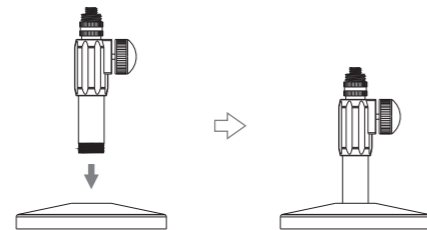


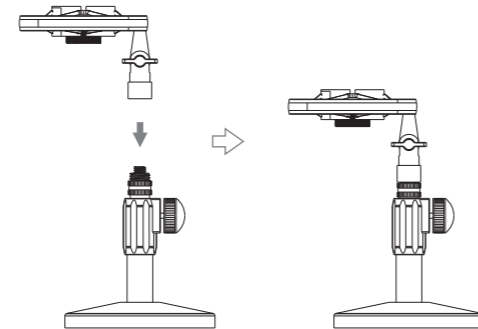
COMICA
PROFESSIONAL AUDIO EQUIPMENT



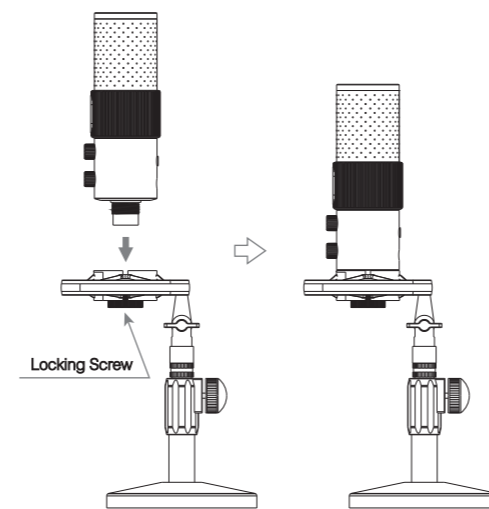
1. Connect the screw thread of the stand to the screw hole of the round base, and turn clockwise to tighten and fix.



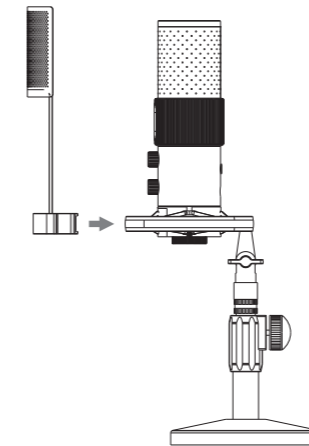
2. Connect the 3/8 threaded hole of the shock-mount to the thread of the desktop mic stand, turn clockwise to tighten and fix.



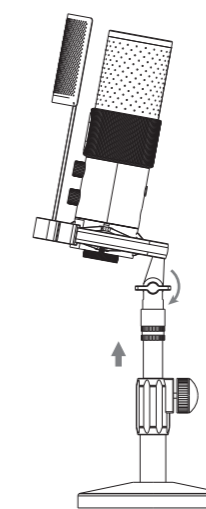
3. Connect the screw thread of the microphone to the screw hole of the shock-mount, and fix the microphone by adjusting the locking screw of the shock-mount.



4. Install the pop filter on the shock-mount.



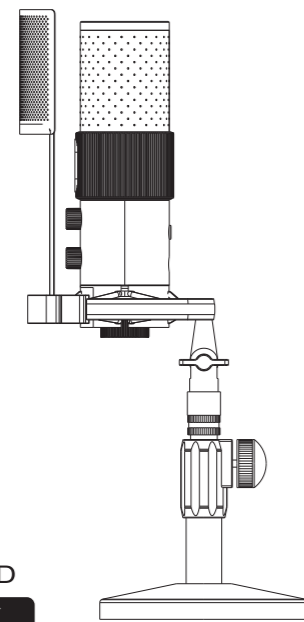
5. Adjust and fix the shock-mount and the microphone through the locking screw on the shock-mount and adjust the height of it through the fixing screw knob on the stand.



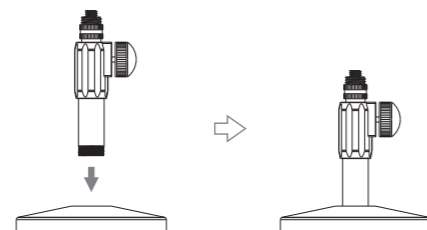
Website: comica-audio.com
Facebook: Comica Audio Tech Global
Instagram: Comica Audio
YouTube: Comica Audio

The COMICALOGO is a trademark which is registered and owned by Comitee Technology Co.,Ltd
Email: support@comica-audio.com

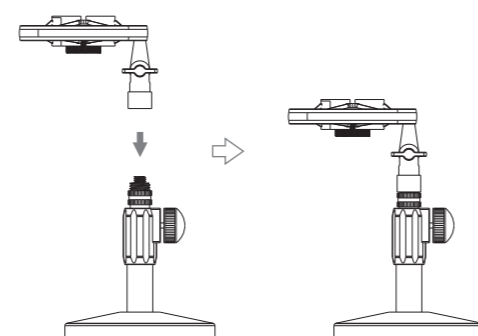
COMICA 科
PROFESSIONAL AUDIO EQUIPMENT 暖



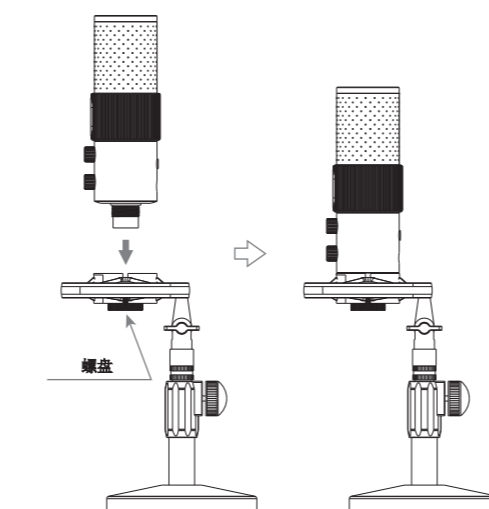
1. 将支架的螺牙与圆盘底座的螺口相连，顺时针拧紧固定



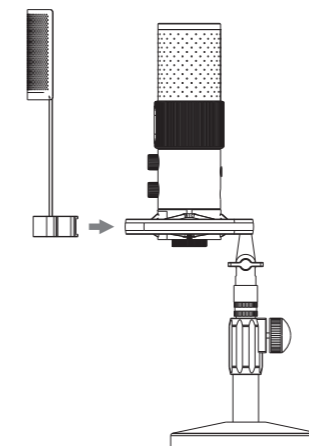
2. 将减震架的3/8螺纹孔与圆盘支架的螺纹相连，顺时针旋转拧紧固定



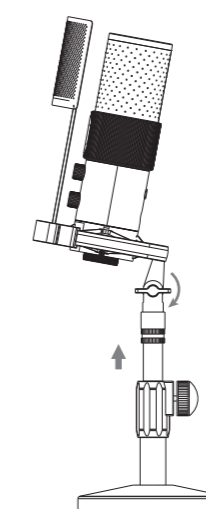
3. 将麦克风的螺牙与减震架的螺口相连，通过调整减震架的螺盘来固定麦克风



4. 将防喷罩安装在减震架上



5. 通过减震架上的锁紧螺杆来调整并固定减震架与麦克风的位置，通过支架上的固定螺丝组来调节支架的高度



扫二维码关注
科暖官方公众号

COMICA科暖
COMICA科暖
COMICA科暖
COMICA科暖

邮箱: support@comica-audio.com
电话: 400-8303-981
网址: comica-audio.com
版权及科暖商标归科暖技术有限公司所有

尺寸: 77x109mm; 材质: 书纸; 英文首页做版面