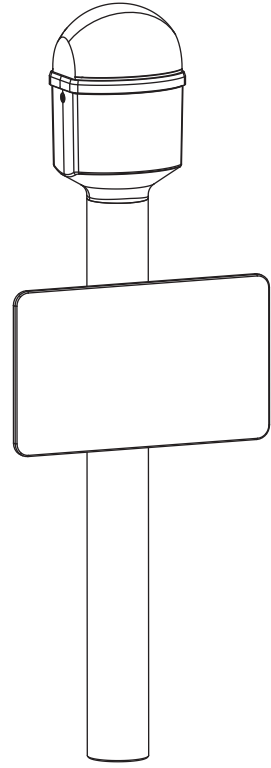


COMICA
PROFESSIONAL AUDIO EQUIPMENT

HRM-C

Omnidirectional Dynamic Reporter/Interview Microphone



User Manual

Foreword

Thanks for purchasing COMICA HRM-C Omnidirectional Dynamic Reporter/Interview Microphone. This term is specially designed for Handheld Interview and Presentation Application, it has Omnidirectional Dynamic Capsule and XLR Output Design; Specially Tailored Frequency Response for Reporter; Super Low Self-noise; Full Metal Construction for Better Shielding functions. It is a excellent partner for your shoot!

To ensure bring you a good using experience, please read this manual book carefully before using and correctly install and operate.

Main Features

Designed for Handheld Interview and Presentation Applications
Omnidirectional Dynamic Capsule and XLR Output Design
Specially Tailored Frequency Response for Reporter
Super Low Self-noise
Full Metal Construction for Better Shielding

Notice

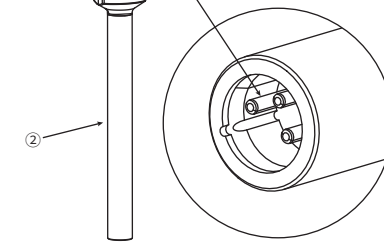
- △ This product uses XLR output interface, device with other interface should be prepared with corresponding cable adapter to use
- △ Do not use this equipment in the vicinity of heat source or interference source, such as radiator, oven, refrigerator or air conditioner, smartphone or next to the WIFI AP
- △ This product belongs to high-precision instruments, please avoid falling, collision or pounding
- △ Do not use the equipment in rain or in a damp environment to avoid short-circuit danger
- △ Please keep the product in a dry environment

Packing List



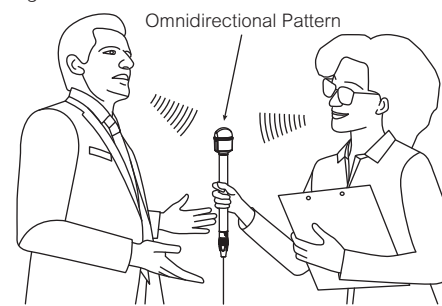
Components Instruction

- ① Mic
- ② Handle
- ③ XLR Interface



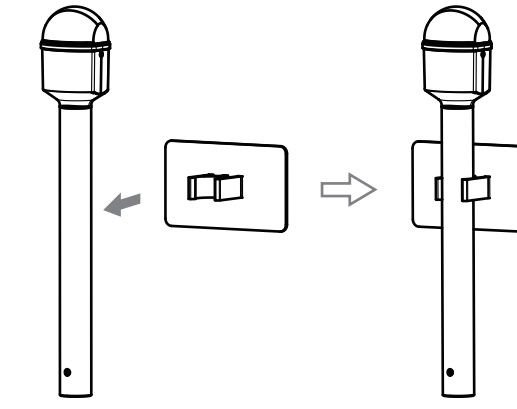
Product Usage

Please keep the microphone and the audio source within 50cm when it's working

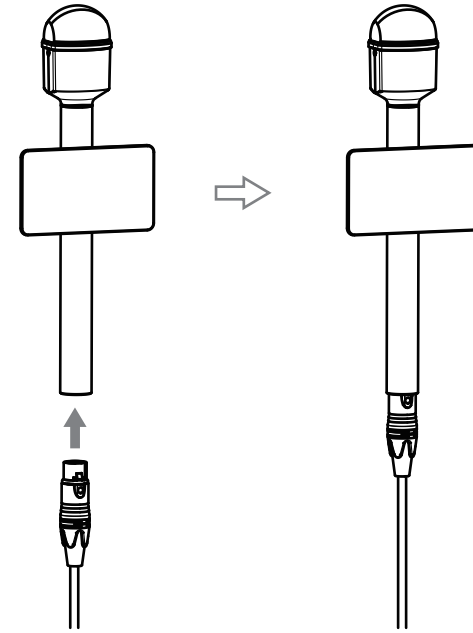


Product Installation

1. Install the LOGO Flag to Microphone Handle according to your needs

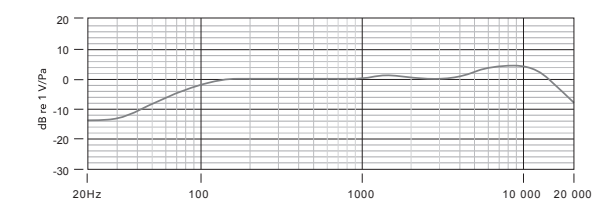


2. Insert the XLR plug into Microphone and fix it then finish the installation

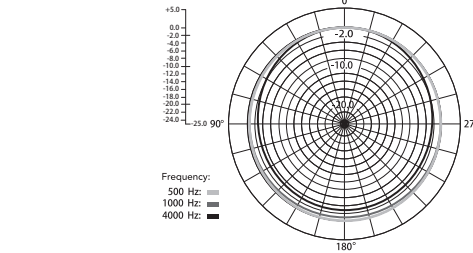


Specification

1. Frequency Response



2. Polar Pattern



3. Technology Parameters

Acoustic Principle	Dynamic
Polar Pattern	Omnidirectional
Output Impedance	150Ω Typical
Frequency Response	70Hz-15kHz
Sensitivity	-56dB±3dB (F=1kHz, SPL=1Pa, 0dB=1V/Pa)
Output Interface	XLR
Dimension	45x39x274mm
Working Temperature	0-50°C



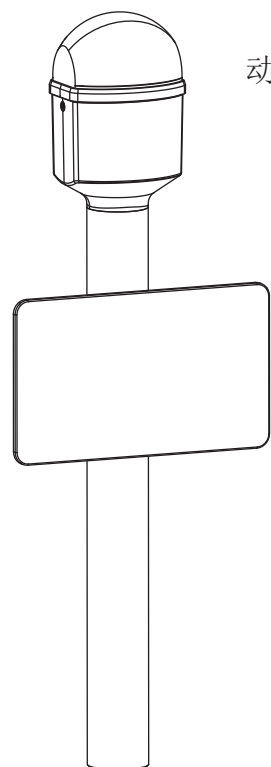
www.comica-audio.com

The COMICA LOGO is trademark which is registered and owned by Comille Technology Co., Ltd
Email: support@comica-audio.com

COMICA 科
PROFESSIONAL AUDIO EQUIPMENT

HRM-C

动圈采访专用麦克风



使用说明书

前言

感谢您购买COMICA/科咪 HRM-C动圈采访专用麦克风。本产品专为手持采访设计。具有专业卡侖输出全指向动圈咪头; 高端定制级采访频响; 超低底噪; 全金属结构; 超强屏蔽等多种功能。是您拍摄视频的极佳搭档!

为保证产品的顺畅使用, 请在使用前严格阅读本说明书, 并正确组装及操作。

产品主要功能

- 专为手持采访设计
- 专业卡侖输出全指向动圈咪头
- 超低底噪
- 全金属结构; 超强屏蔽
- 高端定制级采访频响

注意事项

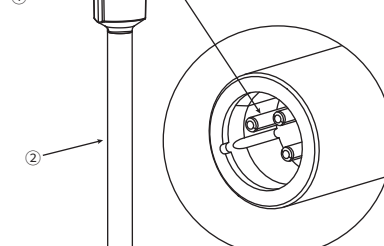
- △ 本产品采用卡侖接口输出, 其他接口的设备请自行配备相应的转换线使用
- △ 请勿将本设备放置在热源或干扰源附近使用, 如散热器、烤箱、冰箱、空调、手机和WIFI热点旁边
- △ 本产品属于高精密度仪器类产品, 请避免使用时掉落、碰撞或重击
- △ 不要在雨或潮湿的环境中使用该设备, 否则会有短路的危险
- △ 请在干燥环境中对该产品进行保存

包装清单



部件介绍

- ① 咪头
- ② 手柄
- ③ 卡侖头接口



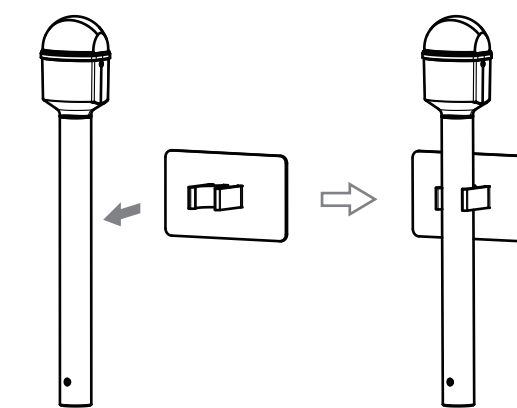
使用方法

使用时咪头与音源保持50CM距离以内

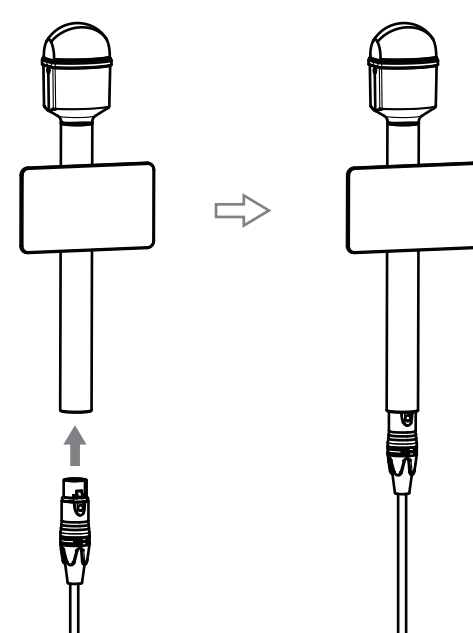


产品安装

1. 根据个人需要, 把话筒台标安装到麦克风手柄上

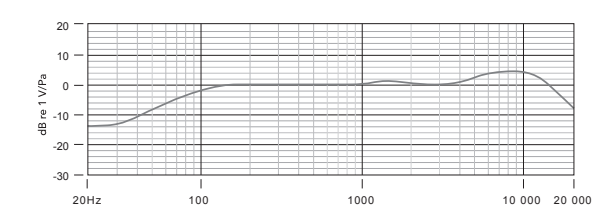


2. 把卡侖头插头插入麦克风上即完成安装

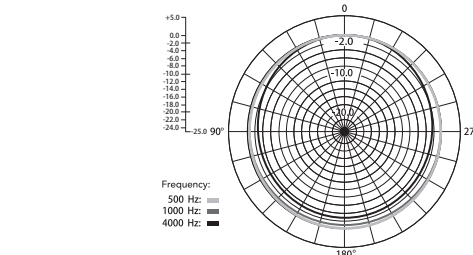


规格参数

1. 频率响应



2. 指向性图



3. 性能参数

声学原理	动圈
指向性	全指向
输出阻抗	150Ω Typical
频响	70Hz-15kHz
灵敏度	-56dB±3dB (F=1kHz, SPL=1Pa, 0dB=1V/Pa)
输出接口	卡侖头
尺寸	45x39x274mm
工作温度	0-50°C



www.comica-audio.com

The COMICA LOGO is trademark which is registered and owned by Comille Technology Co., Ltd
Email: support@comica-audio.com

88X160mm 折页; 材质书纸; 英文版首页做封面