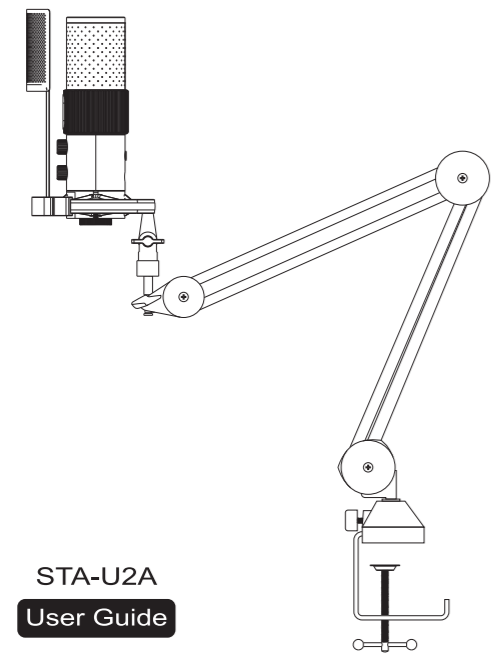
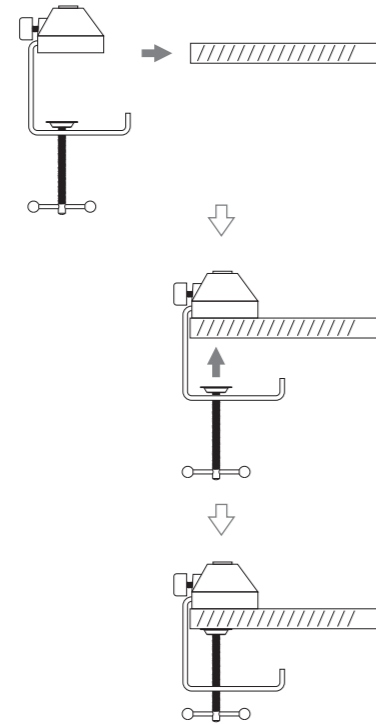


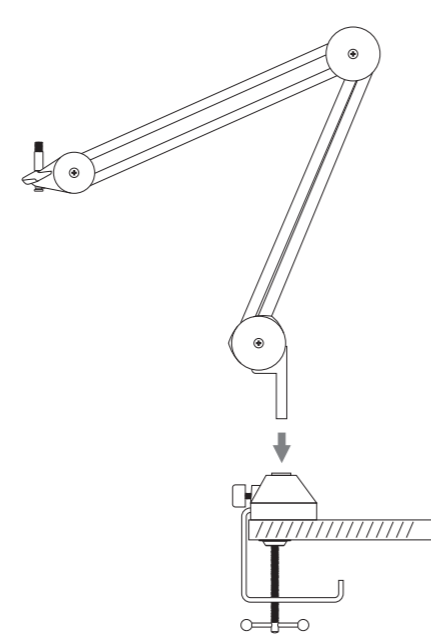
COMICA
PROFESSIONAL AUDIO EQUIPMENT



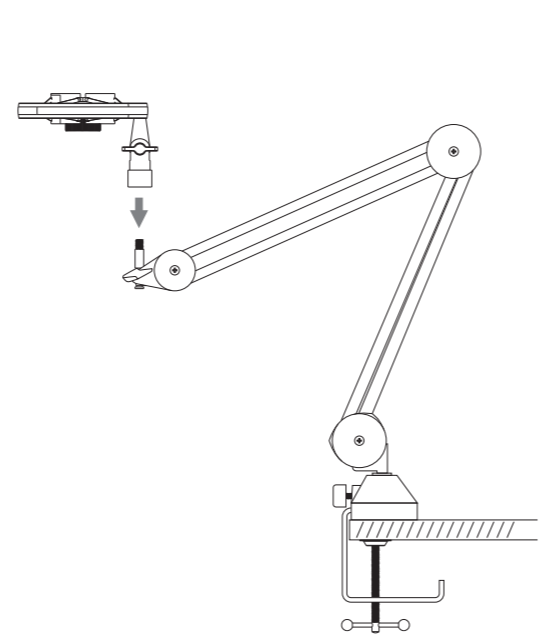
1. Clamp the suspension boom stand base to the desktop or other objects and tighten the fixing clip clockwise



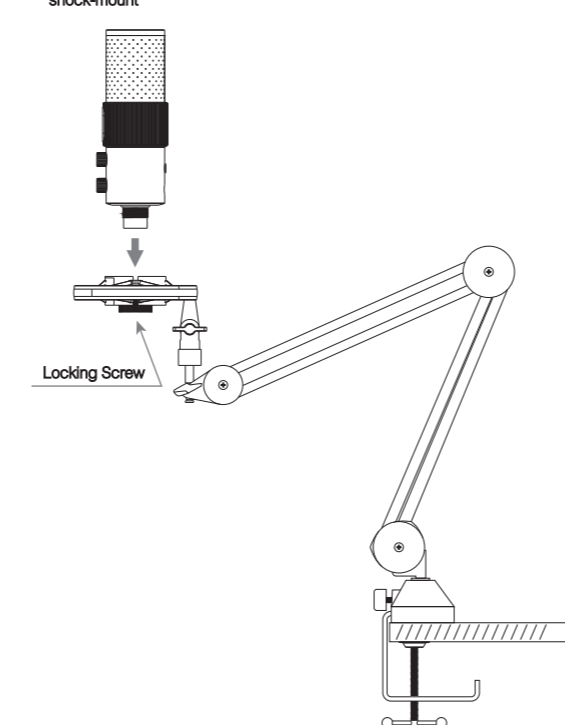
2. Connect the suspension boom stand to the stand base and tighten the fixing clip on the stand base to adjust and fix the stand



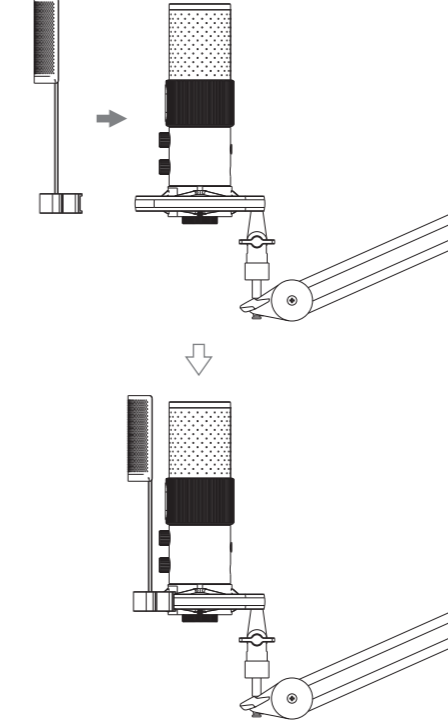
3. Connect the 3/8 threaded hole of the shock-mount to the suspension boom stand, turn clockwise to tighten and fix



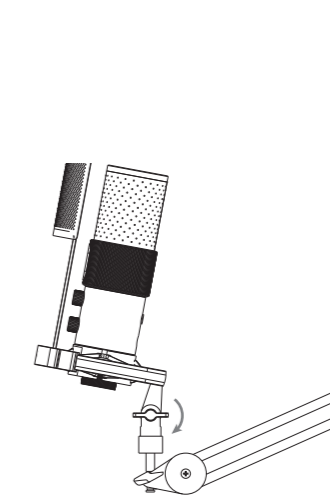
4. Connect the screw thread of the microphone to the screw hole of the shock-mount, and fix the microphone by adjusting the locking screw of the shock-mount



5. Install the pop filter on the shock-mount



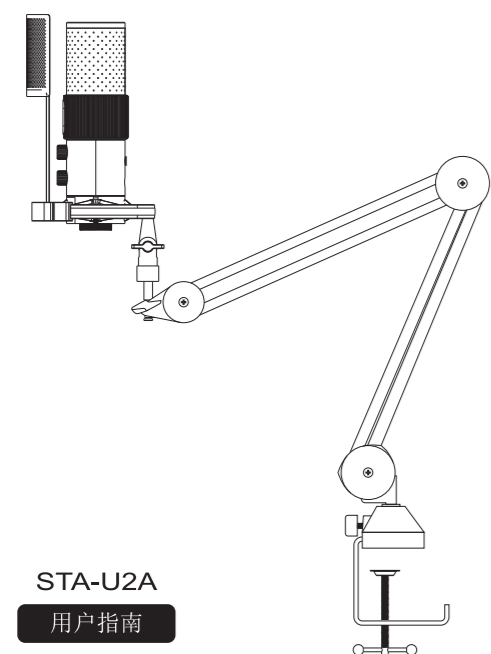
6. Adjust and fix the shock-mount and the microphone through the locking screw on the shock-mount and the stand



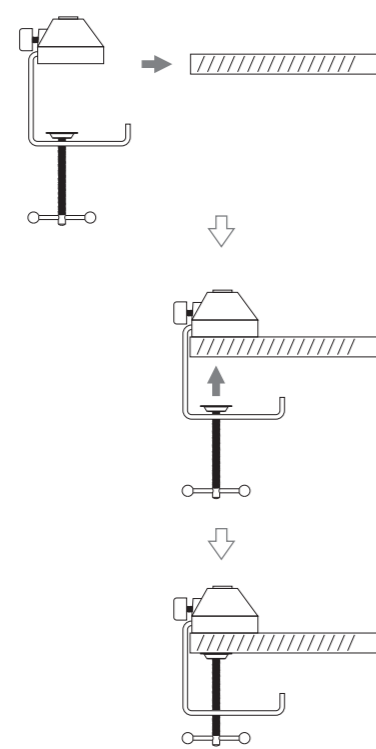
Website: comica-audio.com
Facebook: Comica Audio Tech Global
Instagram: Comica Audio
YouTube: Comica Audio

The COMICA LOGO is a trademark which is registered and owned by Comica Technology Co., Ltd
Email: support@comica-audio.com

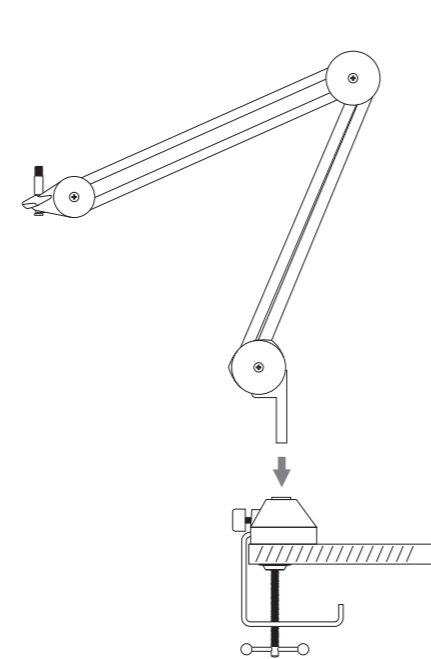
COMICA 科
PROFESSIONAL AUDIO EQUIPMENT 凌



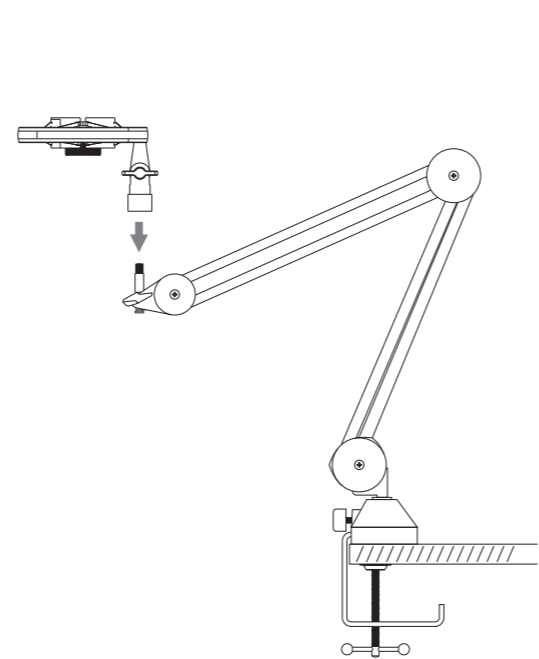
1. 将悬臂支架底座上的固定夹夹在桌面或其他物体上，顺时针拧紧固定



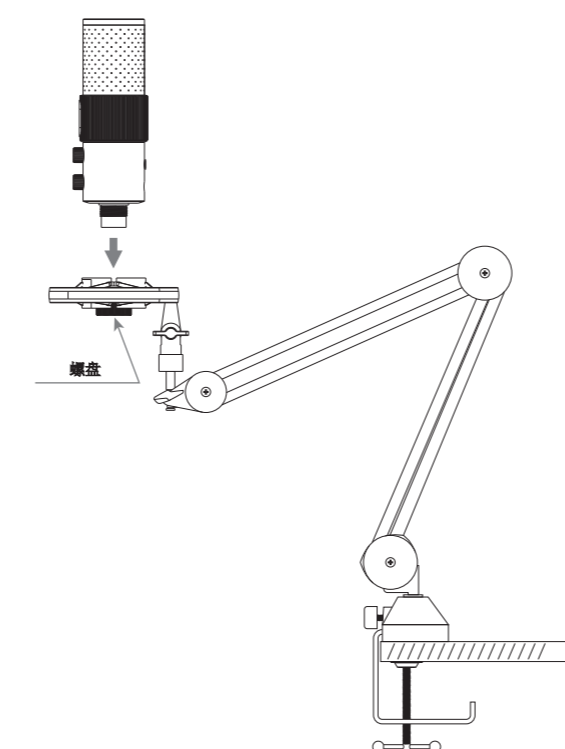
2. 将悬臂支架固定在底座上，通过底座上的固定螺丝来调整并固定支架



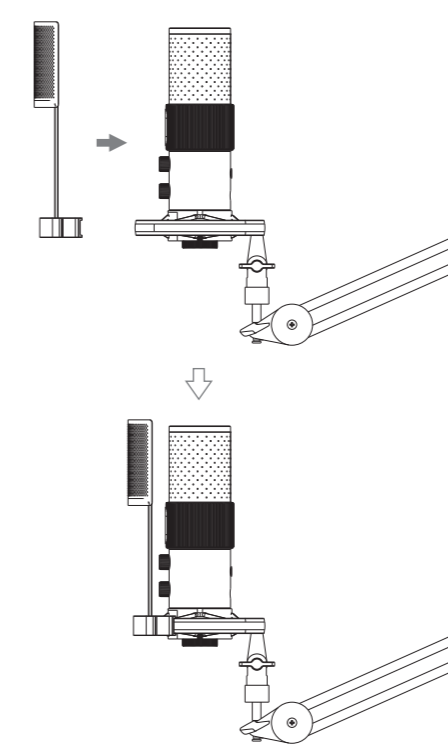
3. 将减震架的3/8螺孔与悬臂支架的螺孔相连，顺时针旋转拧紧固定



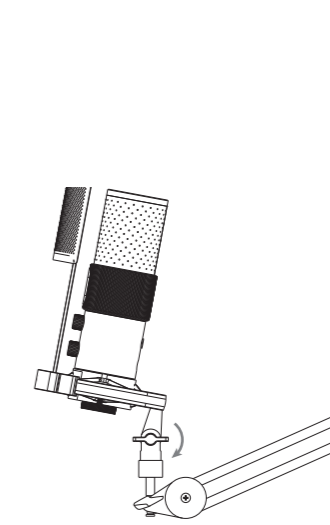
4. 将麦克风的螺牙与减震架的螺口相连，通过调整减震架的螺丝来固定麦克风



5. 将防喷罩安装在减震架上



6. 通过减震架上的锁紧螺杆来调整并固定减震架与麦克风的位置



扫一扫关注
科凌音频公众号

COMICA科凌
COMICA科凌
COMICA科凌
COMICA科凌

邮箱: support@comica-audio.com
电话: 400-8303-981
网址: comica-audio.com
版权及科凌商标归科凌技术有限公司所有

尺寸: 77x109mm; 材质: 书纸; 英文首页做版面