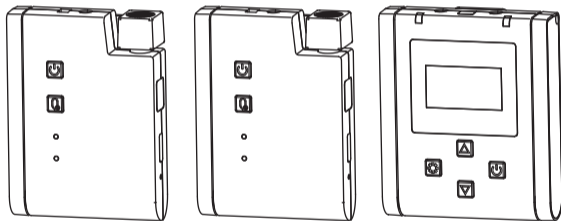


Broadcasting-level Multi-functional Mini UHF Wireless Microphone



Technology Parameters

Transmitter (TX)

Channels	48x2
Group A Wireless Frequency Bands	568.125MHz ~ 579.875MHz
Group B Wireless Frequency Bands	580.125MHz ~ 591.875MHz
Transmitting Power	15dBm

Receiver (RX)

Channels	48x2
Group A Wireless Frequency Bands	568.125MHz ~ 579.875MHz
Group B Wireless Frequency Bands	580.125MHz ~ 591.875MHz

Foreword

Thanks for purchasing COMICA BoomX-U

Main Features

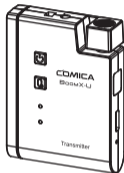
- . Portable Dual-channel UHF Wireless Microphone, Broadcast Level
- . Support Multi-receiver Monitoring & Shooting
- . Internal and External Mic Two Input Modes
- . 180° Foldable Antenna, 120m Transmission Distance
- . Support Screen Flip and Bilingual Selection
- . 48 Channels Used for Several Devices Working Together
- . Support Auto-scanning/Manual Channel-setting
- . LCF, M/S Switch, 16-level Adjusted Gain Control, Muting Functions
- . Real-time Visual Power and Audio Dynamic Monitor
- . Special Anti-loose Design for External Lavalier Mic
- . Colorful TFT Display, High Resolution
- . Designed with Multi-functional Belt Clip and Compact

Notice

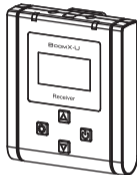
- ⚠ Please make sure the IR sensor are closely aligned when pairing
- ⚠ Don't block the antenna position to avoid any poor signal generated
- ⚠ Please attention that it can not realize STEREO function when in single channel mode
- ⚠ It is recommended to adjust the antenna of transmitter and receiver to appropriate angle for stable transmission and long working distance
- ⚠ It is recommended to keep a distance more than one meter between the two transmitters when using IR sync function, or it is easy to cause mismatching
- ⚠ This product belongs to high-precision instruments, please avoid falling, collision or pounding
- ⚠ Do not use the equipment in the vicinity of heat source or interference source, such as radiator, oven, refrigerator or air conditioner
- ⚠ If the pick-up distance is close or when used outdoors, please put on the wind muff to prevent sound burst or reduce wind noise
- ⚠ Do not use the equipment in rain or in a damp environment to avoid short-circuit danger
- ⚠ Please keep the product in a dry environment

Packing List

Main Parts:



Transmitter(TX)



Receiver (RX)

Purchase Options:



U1 = TX + RX



U2 = TX + TX + RX

Accessories:

- ① 3.5mm Lavalier Mic
- ② Wind Muff
- ③ 3.5mm TRS-TRRS Audio Cable
- ④ 3.5mm TRS-TRS Audio Cable
- ⑤ 3.5mm-XLR Audio Output Cable
- ⑥ USB A-USB C Charging Cable
- ⑦ Carry Case
- ⑧ User Manual
- ⑨ Warranty Card



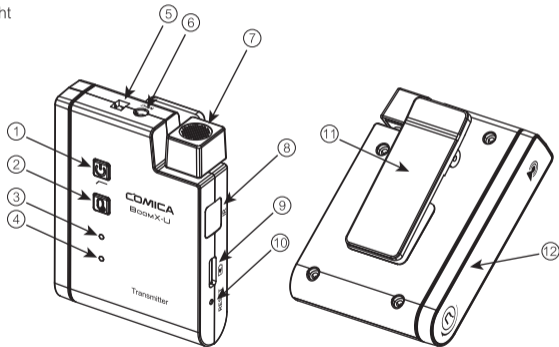
The accessories of each combination include :

U1= ①+②+③+④+⑤+⑥+⑦+⑧+⑨

U2= ①x2+②x2+③+④+⑤+⑥+⑦+⑧+⑨

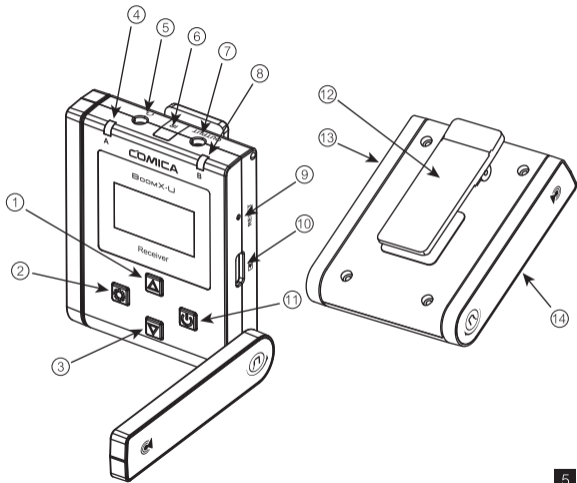
Transmitter (TX):

1. Power / Low Cut Filter Button
2. Muting Button
3. Power / Low Cut Filter Indicator Light
4. Audio Status Indicator Light
5. External Mic Locking Buckle
6. 3.5mm TRS Port of External Mic
7. Internal Mic
8. IR Sensor
9. USB-C Charging Port
10. Reset Hole
11. Belt Clip
12. Antenna



Receiver (RX)

1. Menu Function Button +
2. Function Setting Button
3. Menu Function Button -
4. Group A Working Status Indicator
5. 3.5mm TRS/TRRS Monitoring Port
6. IR Sensor
7. 3.5mm TRS Audio Output Port
8. Group B Working Status Indicator
9. Reset Hole
10. USB-C Charging Port
11. Power Button
12. Belt Clip
13. Group A Antenna
14. Group B Antenna

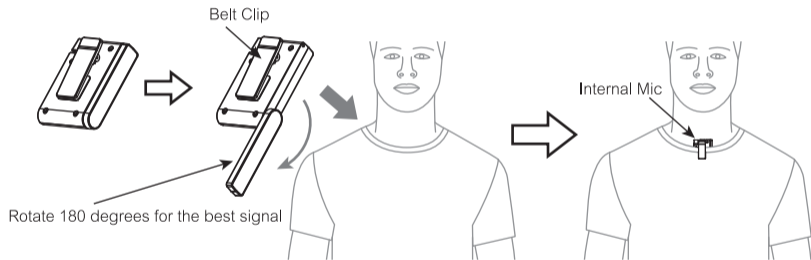


Installation

Transmitter (TX)

1. Use internal microphone :

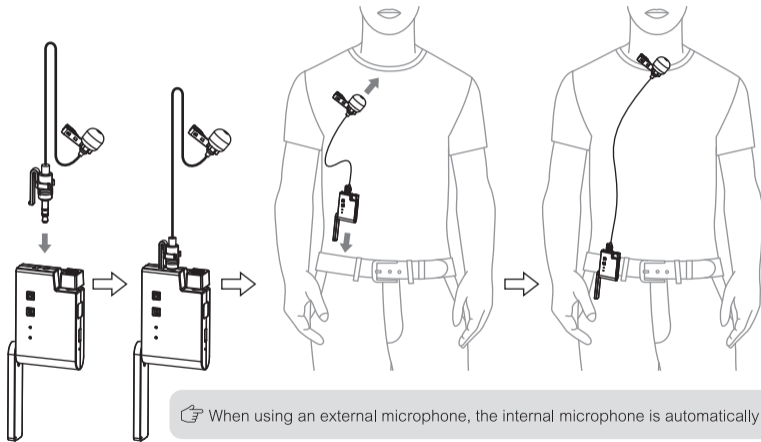
Adjust the antenna angle; Install the transmitter on the collar through the belt clip so that the internal microphone points in the direction of the sound source



👉 For better concealment during use, it is recommended that the belt clip be fixed and used outwards

2. Use external microphone:

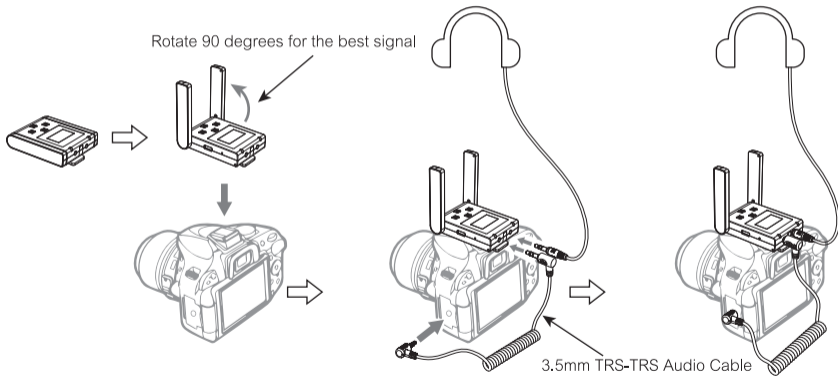
Insert the 3.5mm TRS microphone input cable into the transmitter's 3.5mm TRS external microphone port and tighten it, then clip the transmitter to the belt through the belt clip and clip the lavalier microphone to your collar



Receiver (RX)

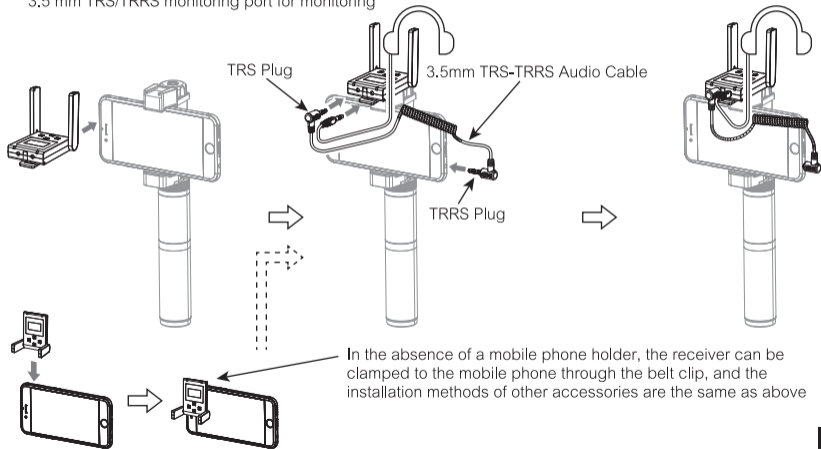
1. Work with Camera:

Adjust the antenna angle; Fix the receiver through the belt clip to the camera's hot shoe mount, then connect the receiver with camera through the 3.5mm TRS-TRS audio cable; Insert the headphone into the monitoring port for monitoring



2. Work with Smartphone:

Clip the receiver to the cold shoe mount through the belt clip; Connect the receiver with the mobile phone through the 3.5mm TRS-TRRS audio cable and pay attention to the access to the audio output jack of the receiver is the 3.5mm TRS plug, and the access to the mobile phone is the 3.5mm TRRS plug; Insert the headphone to the 3.5 mm TRS/TRRS monitoring port for monitoring



Transmitter (TX)

Function Introduction:

1. Power /Low Cut Filter Button

Long press for On/Off; Short press for Low Cut Filter



2. Muting Button

Long press to switch between normal recording and mute



3. Power /Low Cut Filter Indicator Light

Blue light keeps on after turn on the Transmitter; Purple light keeps on after turn on Low Cut Filter mode; Red light flicker when pairing transmitter and receiver or low power; Red light keeps on when charging



4. Audio Status Indicator Light

Blue light flicker when sound is input; Red light keeps on when sound is crackled or mute status



5. Reset Hole

If there is an abnormal phenomenon such as the device is crash or unable to turn on it, then insert the reset pin into the reset hole to reset it



6. Internal Mic

Turn the Mic to the sound source



7. 3.5mm TRS External Microphone Port

Insert the 3.5mm TRS microphone input cable, and you can use the external lavalier microphone for recording. At this time, the internal microphone of this device is automatically turned off



8. IR Sensor

It's paired successfully only when the receiver and transmitter's IR sensor are closely aligned



9. USB-C Charging Port

Connect the transmitter with the 5V power through the USB A-USB C charging cable to charge



Receiver (RX)

Receiver (RX) Function Introduction:

1. Power Button

Long press for On/Off; Short press on the function menu interface to exit the current interface



2. SET Function Button

Short Press can enter the setting display page, then adjust the related function



3. Function Selection Button +

Short Press for function adjustment (+)



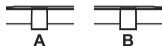
4. Function Selection Button -

Short Press for function adjustment (-)



5. Group A/B Working Status Indicator

Indicator light is off when unpaired; Blue light keeps on after paired successfully;
Red light flicker when low power; Red light keeps on when charging



6. 3.5mm TRS Audio Output Port

Connect with mobile phone through the 3.5mm TRS-TRRS audio cable; Connect with camera through the 3.5mm TRS-TRS audio cable



7. IR Sensor

It's paired successfully only when the receiver and transmitter's IR sensor are closely aligned



8. 3.5mm TRS/TRRS Monitoring Port

Insert headphone to monitor



9. Screen Flip Function

You can flip the screen 180 degrees to use according to different scenes

Menu
Screen Flip
Off

(Normal Display)

Menu
Screen Flip
On

(After Screen Flips 180 Degrees)

10. Reset Hole

If there is an abnormal phenomenon such as the device is crash or unable to turn on it, then insert the reset pin into the reset hole to reset it

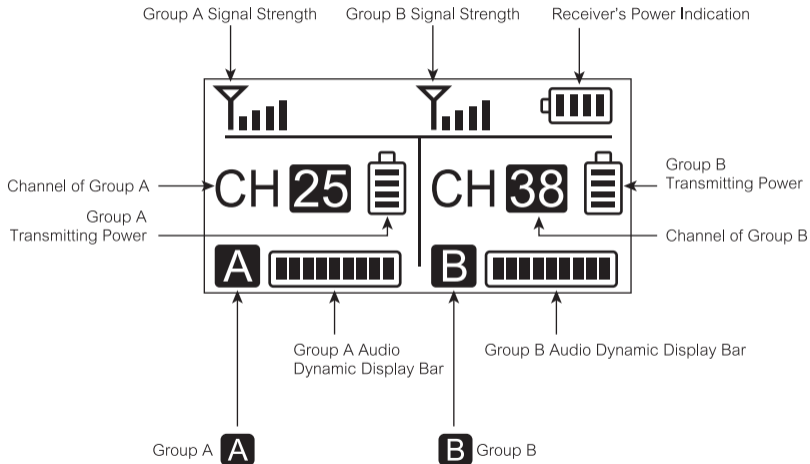


11. USB-C Charging Port

Connect the receiver with the 5V power through the USB A-USB C charging cable to charge






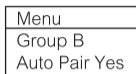
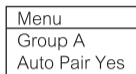
Receiver (RX) Screen Display Instruction:



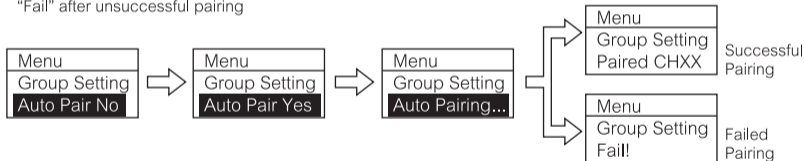
Receiver (RX) Operation Instruction:


1. Auto Pairing of Group A/B

1.1 Short press  button to "setting" display page; press   button to Auto Pair mode of Group A or Group B



1.2 Short press  button for adjustment, press   button to select whether or not pairing, then short press  to confirm. It will show "Paired CHXX" to prompt the channel of Paired after successful pairing; it will show "Fail" after unsuccessful pairing



 Please turn on the transmitter and make sure the IR sensor are closely aligned when pairing or it may cause failed pairing

1.3 Short press  button to back to home screen (The operation methods for other interfaces are the same as above)

2. Manual Pairing of Group A/B

Short press  button to "setting" display page, use   button to manually adjust the channel of A/B Group, short press  button for adjustment, then use   button to select the channel, short press  button to confirm and complete the pair

Menu	Menu
Group A	Group B
Manu Pair 12	Manu Pair 08

3. Volume Adjustment

Group A/B Volume Adjustment

Menu
Group A
Volume 12

4. 'Stereo/Mono' Mode Adjustment

A channel is the left channel and B channel is the right channel in Stereo Mode. Please attention that it can not realize STEREO function when in single channel mode

Menu
Output Mode
Stereo

Menu
Output Mode
Mono

5. Screen Flip Function

You can flip the screen 180 degrees to use according to different scenes

Menu
Screen Flip
Off

 (Normal Display)

Menu
Screen Flip
On

 (After Screen Flips 180 Degrees)

6. System Language

In the system language menu, select the corresponding language

Menu
Language English

Menu
Language 简体中文

7. Version

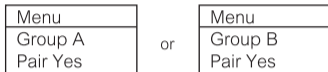
Check the current version

Menu
Version X.X.X

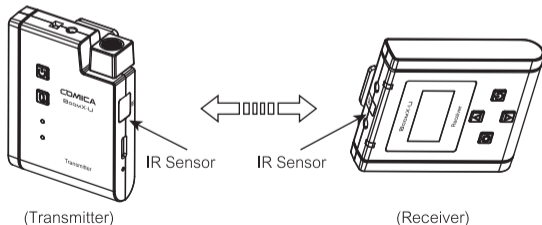
Pairing Method

Dual-Channel Mode:

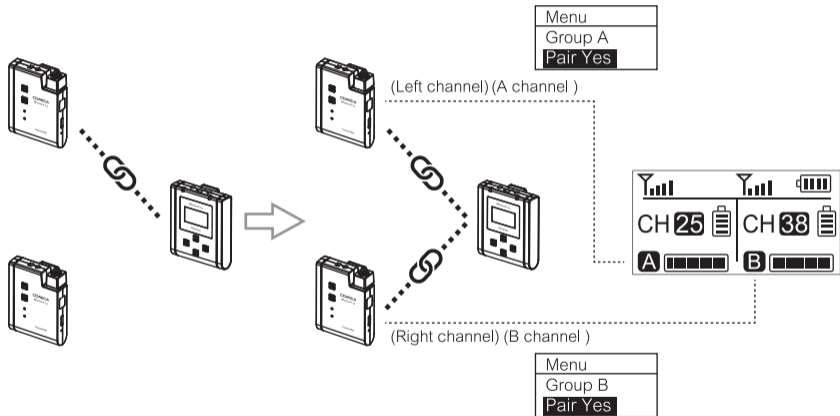
1. Set the display page to A/B Group Pairing



2. Keep the receiver and transmitter's IR sensor are closely aligned before pairing



3. Use the pairing function to pair the two transmitters respectively for the A/B Group



Specifications

Transmitter (TX)

Antenna	PCB Antenna
Polar Pattern	Omnidirectional
Frequency Response	80Hz ~ 20kHz
Maximum SPL	100dB SPL(@ 1% THD)
S/N	75dB SPL(A-weighted,as per IEC651)
Equivalent Noise	19dB SPL(A-weighted,as per IEC651)
Dynamic Range	81dB SPL(A-weighted,as per IEC651)
Sound Delay	<20ms
External Mic Input Interface	3.5mm TRS
Battery	Li-ion Battery 600mAh 3.7V
Standby Time	5 Hours
Net Weight	47g
Dimension	49 x 22 x 66mm
Operating Temperature	0 C ~ 50 C
Storage Temperature	-20 C ~ 60 C

Receiver (RX)

Antenna	PCB Antenna
Sensitivity	-90dBm
S/N	75dB SPL(A-weighted,as per IEC651)
Equivalent Noise	19dB SPL(A-weighted,as per IEC651)
Dynamic Range	81dB SPL(A-weighted,as per IEC651)
Sound Delay	<20ms
Audio Output Interface	3.5mm TRS
Monitoring Interface	3.5mm TRS/TRRS
Battery	Li-ion Battery 600mAh 3.7V
Standby Time	5 Hours
Net Weight	56g
Dimension	56 x 22 x 66mm
Operating Temperature	0 C ~ 50 C
Storage Temperature	-20 C ~ 60 C



Website: comica-audio.com

Facebook: Comica Audio Tech Global

Instagram: Comica Audio

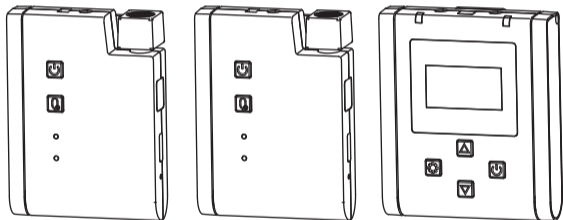
YouTube: Comica Audio

The COMICA LOGO is a trademark which is registered and owned by Commlite Technology Co.,Ltd

Email: support@comica-audio.com

BOOMX-U

广电级多功能迷你UHF无线麦克风



用户使用手册

前 言

感谢您购买COMICA/科凌BoomX-U

产品主要功能

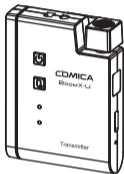
- 微型便携双通道UHF无线麦克风，广电级音质
- 支持多接收监听，多机位拍摄
- 内置和外置MIC两种输入方式
- 180度可折叠天线，120米可传输距离
- 支持屏显翻转和多语言选择
- 48频道，可进行多机位多场合混用
- 支持自动扫描/手动调频配对
- 低切、M/S切换、16级音量、静音等多功能
- 可视化音量、电量实时监测
- 特殊的MIC防松设计
- TFT彩色显示屏，高清易视
- 多功能背夹设计，小巧精悍

注意事项

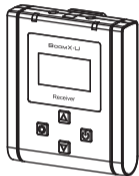
- ⚠ 请注意配对时发射器与接收器的红外对码窗相对才能进行有效配对
- ⚠ 使用时避免任何物体遮挡天线位置，以免信号不良
- ⚠ 单一通道模式下，立体声（STEREO）功能不可实现
- ⚠ 为确保稳定、远距离信号传输效果，建议调整天线至最佳信号传输角度
- ⚠ 对码时两个发射器之间建议保持一米以上的距离，否则容易造成误对码
- ⚠ 本产品属于高精密仪器类产品，请避免使用时掉落、碰撞或重击
- ⚠ 请勿将本设备放置在热源或干扰源附近使用，如散热器、烤箱、冰箱、空调等
- ⚠ 如拾音距离较近或于户外使用时，请套上麦克风防风毛，防止声音爆裂或降低风噪
- ⚠ 不要在雨中或潮湿的环境中使用该设备，否则会有短路的危险
- ⚠ 请在干燥环境中对该产品进行保存

包装清单

主体:



发射器 (TX)



接收器 (RX)

搭配选择:



$$U1 = TX + RX$$



$$U2 = TX + TX + RX$$

配件:

- ① 3.5mm无线专用领夹麦
- ② 防风毛
- ③ 3.5mm TRS-TRRS音频连接线
- ④ 3.5mm TRS-TRS音频连接线
- ⑤ 3.5mm-XLR卡侬头音频输出线
- ⑥ USB A-USB C充电线
- ⑦ 便携包
- ⑧ 说明书
- ⑨ 保修卡



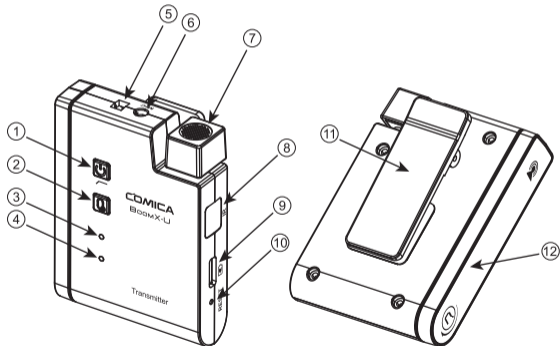
每一个型号的配件包括:

$$U1 = ① + ② + ③ + ④ + ⑤ + ⑥ + ⑦ + ⑧ + ⑨$$

$$U2 = ① \times 2 + ② \times 2 + ③ + ④ + ⑤ + ⑥ + ⑦ + ⑧ + ⑨$$

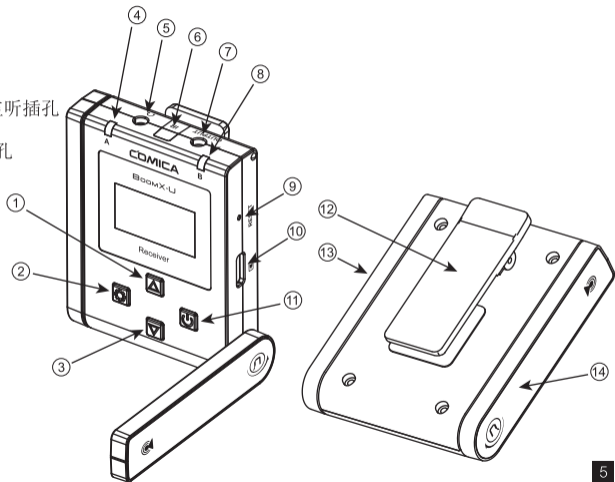
发射器：

1. 电源/低切按键
2. 静音按键
3. 电源/低切指示灯
4. 音频状态指示灯
5. 外置麦克风插头卡扣
6. 3.5mm TRS外置麦克风插孔
7. 内置麦克风
8. 红外对码窗
9. USB-C充电插口
10. 复位孔
11. 背夹
12. 天线



接收器 (RX)

1. 功能菜单上翻按键
2. 设置按钮
3. 功能菜单下翻按键
4. A通道工作指示灯
5. 3.5mm TRS/TRRS耳机监听插孔
6. 红外对码窗
7. 3.5mm TRS音频输出插孔
8. B通道工作指示灯
9. 复位孔
10. USB-C充电插口
11. 电源按钮
12. 背夹
13. A通道天线
14. B通道天线

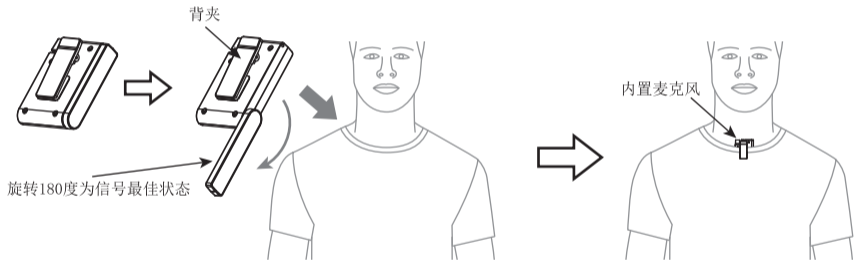


安装方法

发射器 (TX)

1. 使用内置麦克风:

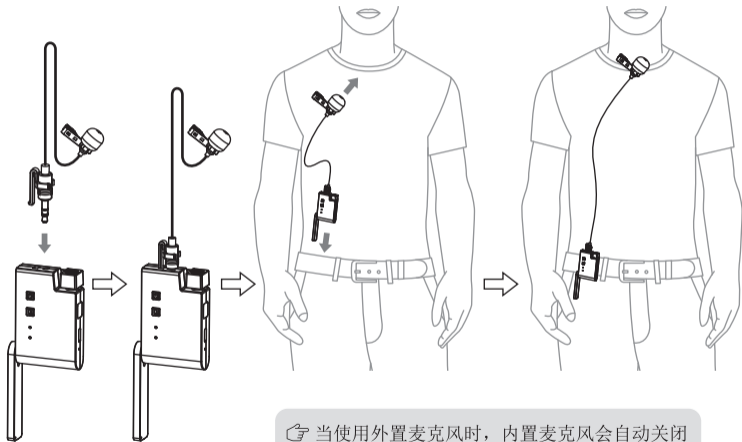
调节好天线角度, 把发射器通过背夹安装到衣领上, 使内置麦克风指向音源方向



👉 在使用过程中为了更好的隐蔽性, 可将背夹朝外固定使用

2. 使用外置麦克风:

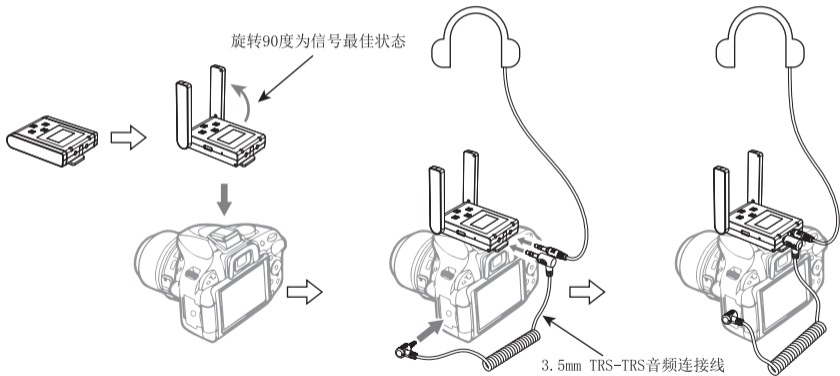
把3.5mm TRS麦克风输入线插入发射器的3.5mm TRS外置麦克风插孔并扣紧; 把发射器通过背夹夹到腰带上, 再把另一头的领夹麦克风夹到衣领上



接收器 (RX)

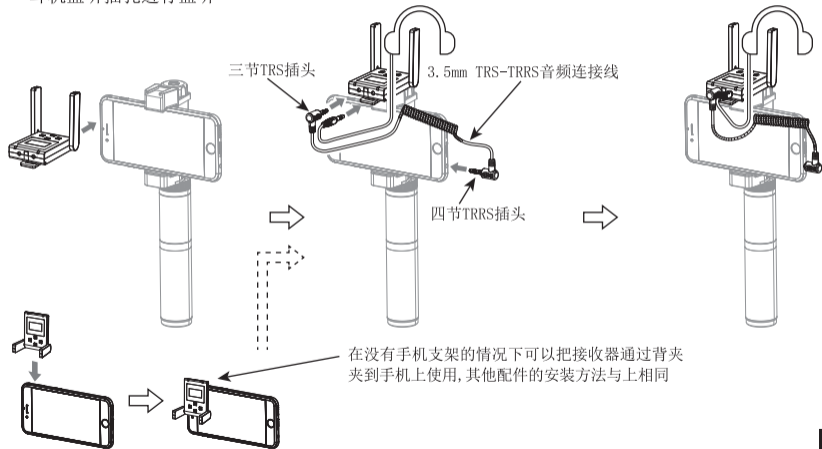
1. 搭配相机使用安装方法:

调节好天线角度，把接收器通过背夹夹到相机的热靴座固定；通过3.5mm TRS-TRS音频连接线连接接收器和相机；把耳机插入耳机监听插孔进行监听



2. 搭配手机使用安装方法:

把接收器通过背夹夹到冷靴座上;通过3.5mm TRS-TRRS音频连接线连接接收器和手机,并注意接入接收器音频输出插孔的是3.5mm TRS插头,接入手机端的是3.5mm TRRS插头;把耳机插入3.5mm TRS/TRRS耳机监听插孔进行监听



发射器 (TX)

发射器功能介绍:

1. 电源/低切按键

长按开机/关机；短按切换低切



2. 静音按键

长按正常录音与静音切换



3. 电源/低切指示灯

开机后蓝灯常亮；低切模式时紫灯常亮；与接收器配对进行中时红灯闪烁；低电时红灯闪烁；充电时红灯长亮



4. 音频状态指示灯

有声音输入时蓝灯闪烁；声音过爆或静音状态下时亮红灯



5. 复位孔

如出现死机或开不了机等异常现象，使用复位针插入复位孔即可复位



6. 内置麦克风

将内置麦克风对准音源即可录音



7. 3.5mm TRS外置麦克风插孔

插入3.5mm TRS麦克风输入线，即可使用外置领夹麦克风进行录音，此时本机的内置麦克风被关闭



8. 红外对码窗

配对时发射器与接收器的红外对码窗相对才能进行配对



9. USB-C充电插口

通过USB A-USB C充电线连接发射器与5V电源进行充电



接收器 (RX)

接收器功能介绍:

1. 电源按键

长按开机/关机;在功能菜单界面短按可退出当前界面



2. 设置按钮

短按可进入设置界面，在菜单中可进行选择与确认动作



3. 向上按键

短按可向上一级切换



4. 向下按键

短按可向下一级切换



5. A/B通道工作指示灯

未对码状态下指示灯不亮；对码成功后蓝灯常亮；低电时红灯闪烁；充电时红灯长亮



6. 3.5mm TRS音频输出插孔

通过3.5mm TRS-TRRS音频连接线与手机进行连接；通过3.5mm TRS-TRS音频连接线与相机进行连接



7. 红外对码窗

配对时发射器与接收器的红外对码窗相对才能进行配对



8. 3.5mm TRS/TRRS耳机监听插孔

插入3.5mm TRS/TRRS耳机即可监听



9. 复位孔

如出现死机或开不了机等异常现象，使用复位针插入复位孔即可复位

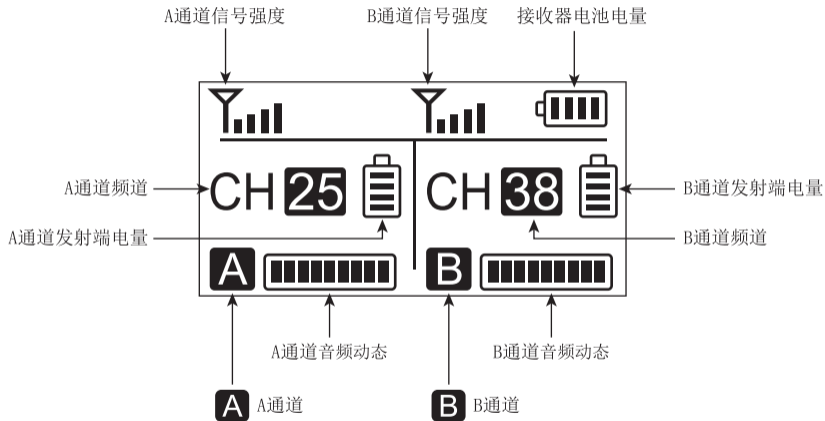


10. USB-C充电插口

通过USB A-USB C充电线连接接收器与5V电源进行充电



接收器屏幕显示:







接收器设置界面功能与操作：

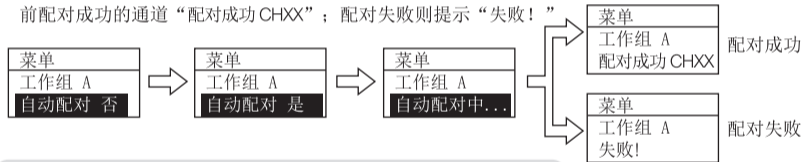
1. A/B通道自动配对


1.1 短按  按键进入设置界面，使用   键切换到A或B通道的自动配对模式

菜单
工作组 A
自动配对 是

菜单
工作组 B
自动配对 是

1.2 短按  按键激活，使用   键切换到是否要配对，再短按  键确认，配对成功后会有提示当前配对成功的通道“配对成功 CHXX”；配对失败则提示“失败！”







 配对过程中请打开发射器电源开关，并保持发射器与接收器的红外对码窗相对，否则可能对码不成功

1.3 短按  按键回到主界面（其他界面的按键操作方法与上相同）

2. A/B通道手动配对

短按  键进入设置界面，使用   键切换到A或B通道的手动调节配对模式

短按  键激活，使用   键选择频道，短按  键确定并完成对码



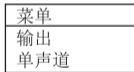
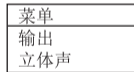
3. 音量调节

调整A/B通道的音量



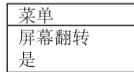
4. 单声道/立体声模式切换

立体声模式下A通道为左声道，B通道为右声道。单一通道模式下，立体声功能不可实现

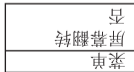


5. 屏幕翻转功能

根据不同的使用场景，可以将屏幕翻转180度使用



(屏幕正常显示)



(屏幕翻转180度显示)

6. 系统语言选择

在系统语言选择菜单下选择对应的语言版本

菜单
语言 简体中文

菜单
语言 English

7. 固件版本号

查看当前的版本号

菜单
版本 X.X.X

双通道配对模式：

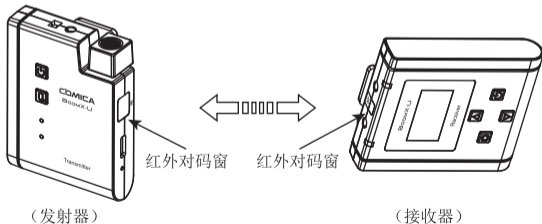
1. 进入A/B通道的配对界面

菜单
工作组 A
自动配对 是

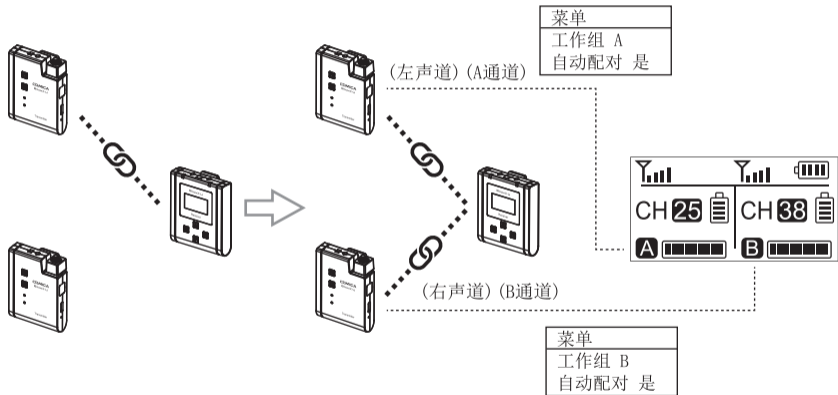
或

菜单
工作组 B
自动配对 是

2. 对码前保持发射器与接收器的红外对码窗相对



3. 使用配对功能依次对两个发射器分别对应A/B通道进行配对



技术规格

发射器 (TX)

天线	PCB天线
麦克风指向性	全指向
麦克风频响	80Hz ~ 20kHz
最大声压级	100dB SPL(@ 1% THD)
系统信噪比	75dB SPL(A-weighted, as per IEC651)
系统等效噪声	19dB SPL(A-weighted, as per IEC651)
系统动态范围	81dB SPL(A-weighted, as per IEC651)
声音延迟	<20ms
外置输入接口	3.5mm TRS
电池	锂聚合物 600mAh 3.7V
续航时间	5小时
净重	47g
尺寸	49 x 22 x 66mm
工作温度	0°C ~ 50°C
存储温度	-20°C ~ 60°C

接收器 (RX)

天线	PCB天线
接收灵敏度	-90dBm
系统信噪比	75dB SPL(A-weighted, as per IEC651)
系统等效噪声	19dB SPL(A-weighted, as per IEC651)
系统动态范围	81dB SPL(A-weighted, as per IEC651)
声音延迟	<20ms
音频输出接口	3.5mm TRS
监听接口	3.5mm TRS/TRRS
电池	锂聚合物 600mAh 3.7V
续航时间	5小时
净重	56g
尺寸	56 x 22 x 66mm
工作温度	0°C ~ 50°C
存储温度	-20°C ~ 60°C

发射器 (TX)

频道数	48x2
Group A 无线频段	568.125MHz ~ 579.875MHz
Group B 无线频段	580.125MHz ~ 591.875MHz
发射功率	15dBm

接收器 (RX)

频道数	48x2
Group A 无线频段	568.125MHz ~ 579.875MHz
Group B 无线频段	580.125MHz ~ 591.875MHz



扫二维码关注
科唛官方公众号



COMICA科唛



COMICA科唛



COMICA科唛



COMICA科唛

邮箱: support@comica-audio.com

电话: 400-8303-981

网址: comica-audio.com

版权及科唛商标归味莱科技有限公司所有